

CORRIDOR® 8172 AUDIO TOWER

bdiusa.com
customerservice@bdiusa.com



Product Registration

Registering your new BDI product allows us to send you important product updates, service information and helpful hints related to your BDI products. Register today, and you will be entered to win free a BINK table from BDI: www.bdiusa.com/register

Placement and Maintenance

Corridor® Media furniture is designed for indoor use on level floors. Clean glass with glass cleaner, and steel parts and wood veneer with a moist cloth.

Your Corridor® Media furniture is engineered for easy assembly. Carefully follow this procedure to prevent any damage. Do not use power tools for assembly of this product.

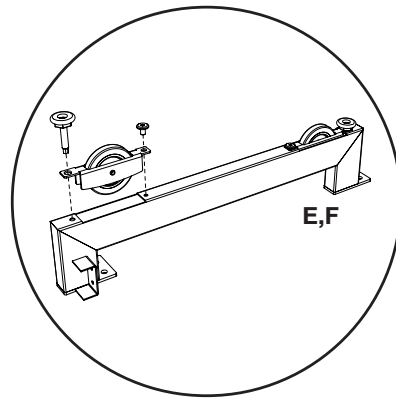
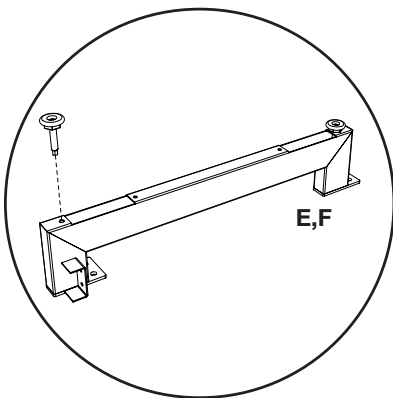
Step 1

Unpack and identify the parts listed below. The assembly workspace should be a non-marring surface such as carpet. For missing hardware pieces, please contact BDI Customer Service at customerservice@bdiusa.com. For all other concerns, please contact your BDI retailer.

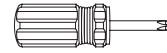
For your convenience, wheel assembly is pre-installed. Wheels can be removed if desired.

Removal of wheels (optional):

Detach **Wheel Assembly** from **Metal Leg E,F** by removing the **Leveler** and **Screw**.



Reinstall **Leveler** to **Metal Leg E,F**.



A Phillips Screwdriver x 1



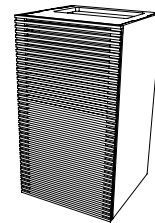
B1 Hex Wrench x 1



B2 Hex Wrench x 1



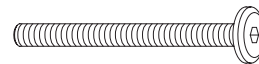
B3 Hex Wrench x 1



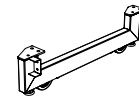
C Cabinet x 1



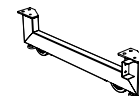
D 1/4-20 x 10 mm Machine Screw x 12



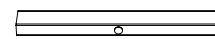
M 1/4-20 x 63 mm Machine Screw x 1



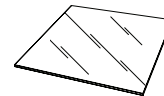
E Left Leg x 1



F Right Leg x 1



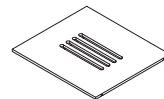
L Stretcher x 1



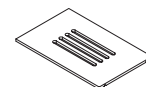
G Glass Top x 1



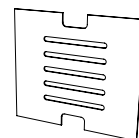
H Rubber Bumpers x 4



I Large Adjustable Shelf x 2



J Small Adjustable Shelf x 1



K Back Panel x 1



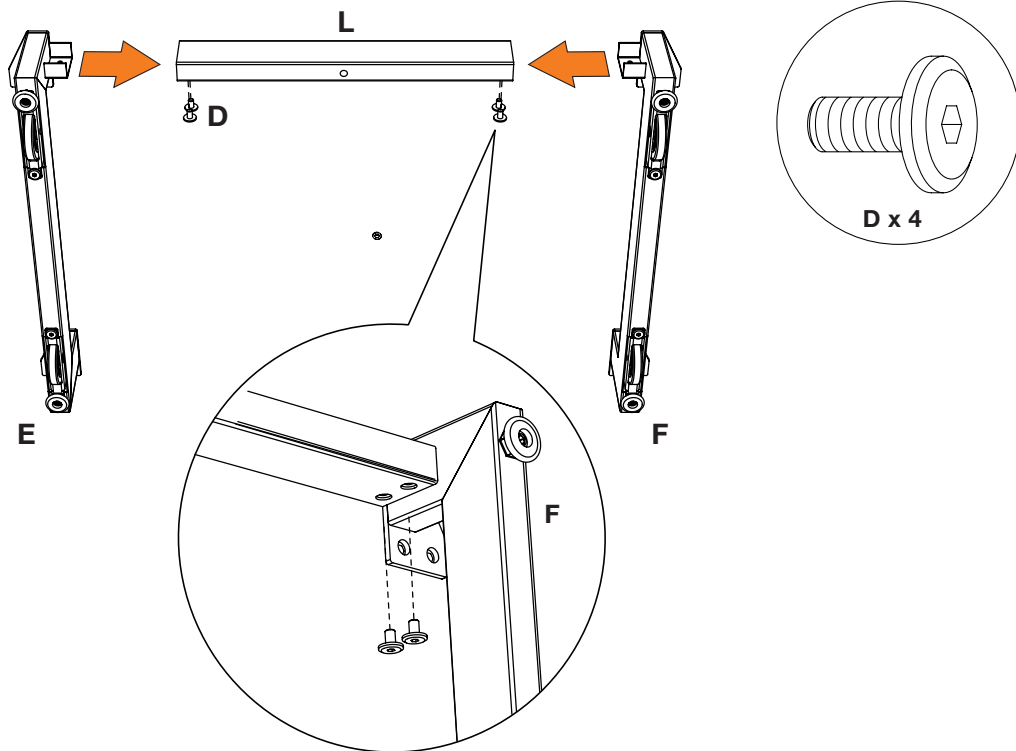
L LP Storage Bars x 3

Designed by Matthew Weatherly.

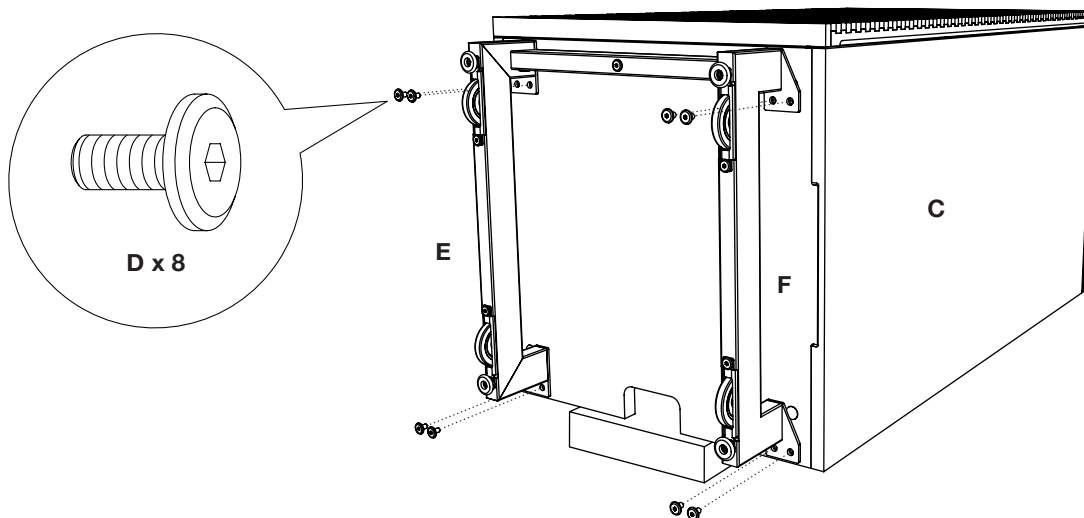
These distinctive product configurations are protected by US and international patents, trade dress, and/or copyright laws. Corridor & BDI are trademarks of Becker Designed, Inc. All rights reserved. ©2016, BDI Made in China. 05.11.2016 V5

Step 2 - Build Base Assembly

Slide tab of **Metal Legs E,F** into ends of **Stretcher L** . Connect by using **Screw D** and **Hex Wrench B1**. Fully tighten all screws.

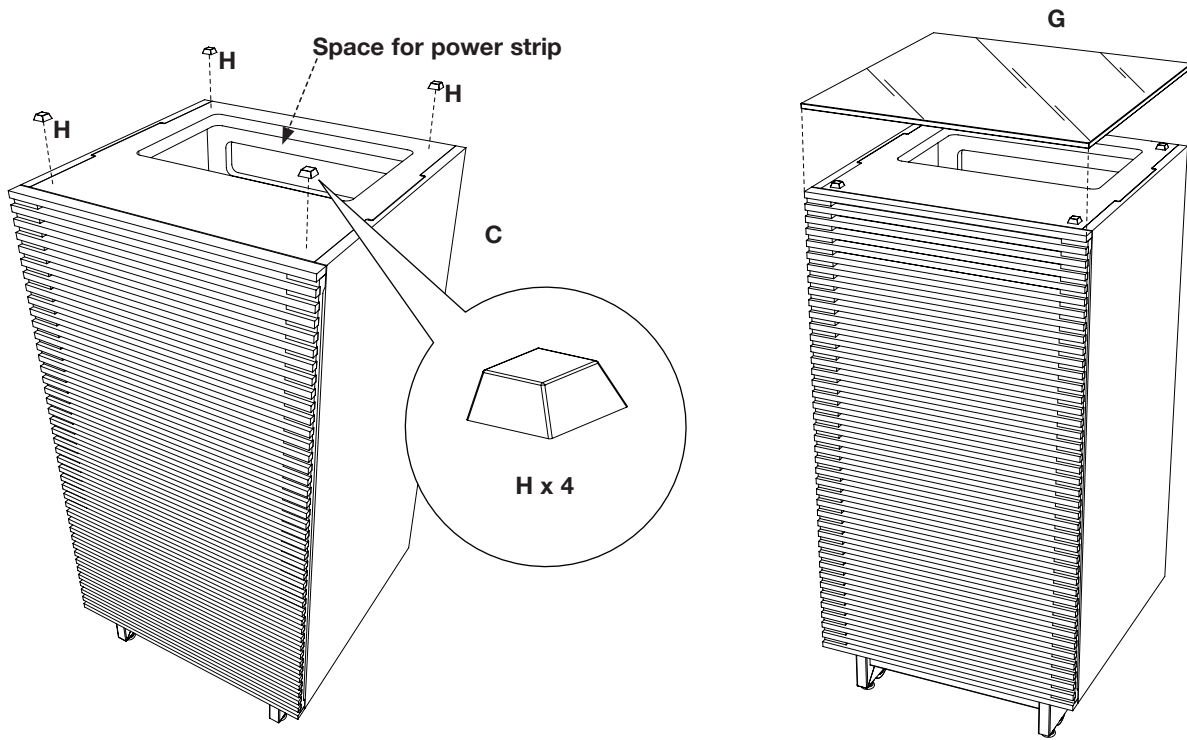


Step 3 - Position cabinet on its back. Prop up the bottom edge with a book. Using **Screw D** , attach **Leg Assembly** to **Cabinet C** with **Hex Wrench B1** . Do not overtighten. *Note: Each of the metal legs has levelers that can be adjusted using the **Hex Wrench B2** .



Step 4 - Install Glass

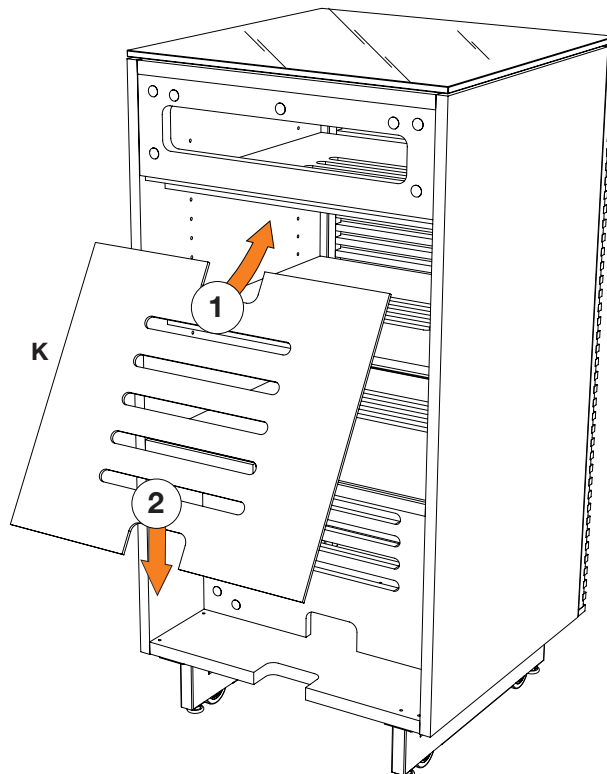
Position the cabinet upright and remove paper backing from **Rubber Bumpers H** and place near corners of the top of the cabinet (within 1" of the edge). Place **Glass Top G** on top of **Cabinet C** centered left to right and front to back.



Step 5 - Install Back Panel

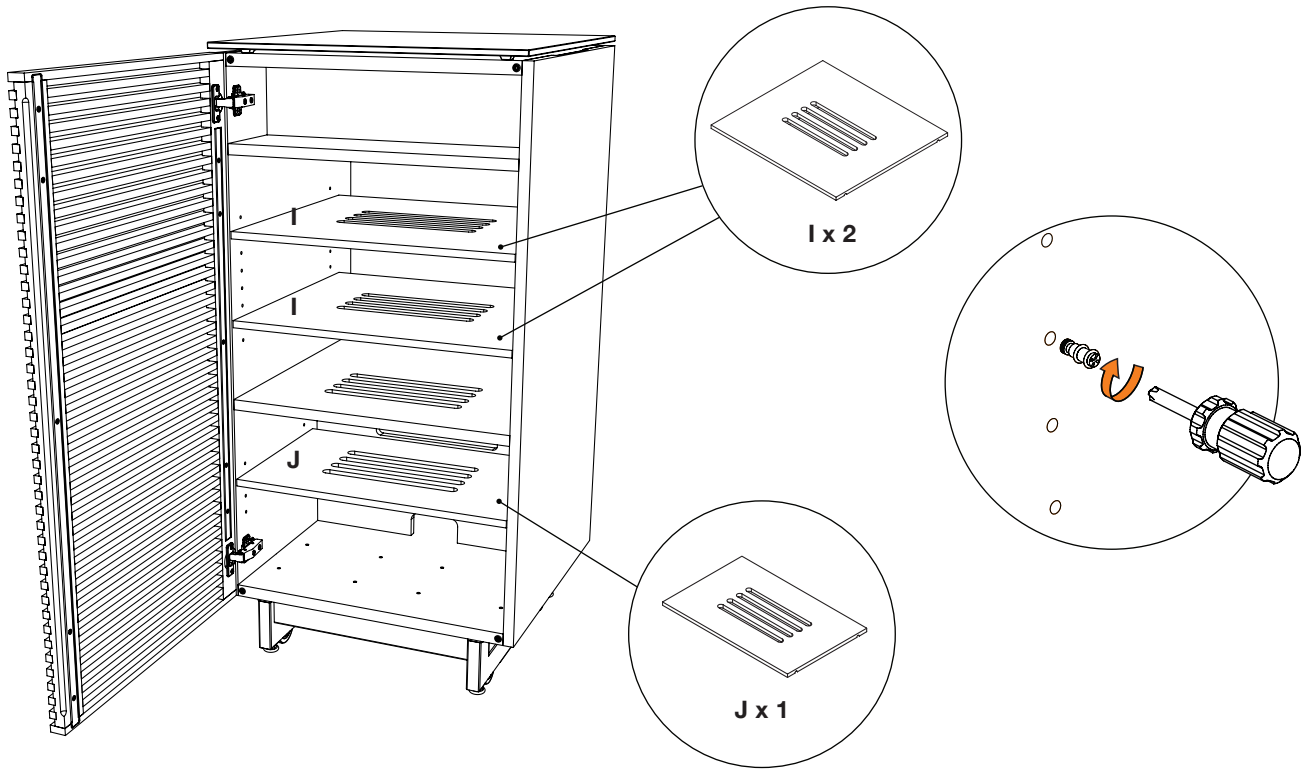
Install **Back Panel K** to the backside of the cabinet by inserting top edge in upper channel then tipping bottom edge forward and into lower channel.

NOTE: Velcro straps are included for your convenience to facilitate wire management.



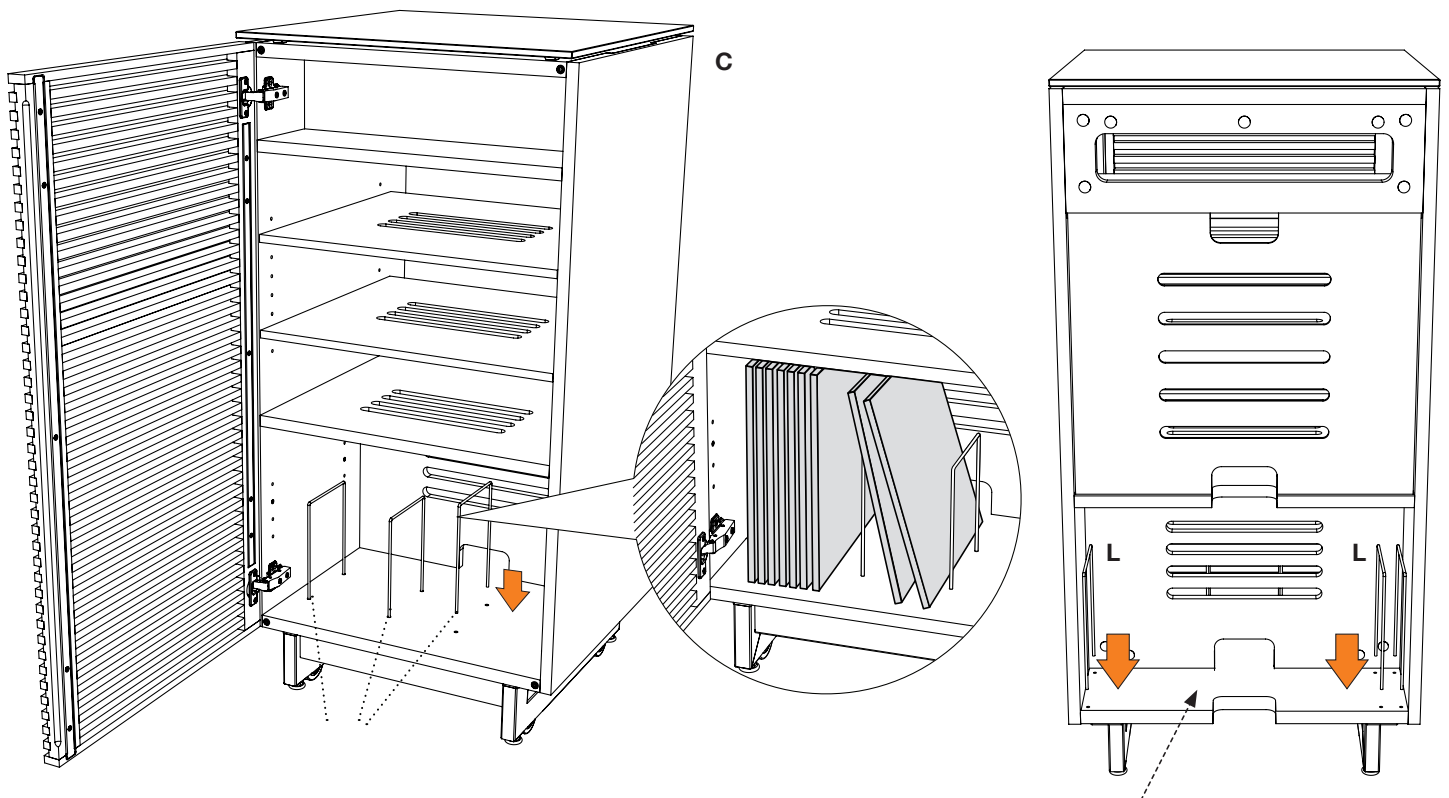
Adjustable Shelves

If desired, lift **Adjustable Shelf I** away, loosen & remove related **Shelf Support Pins**, reinstall the **Shelf Support Pins** at desired height, then reinstall **Adjustable Shelf**.



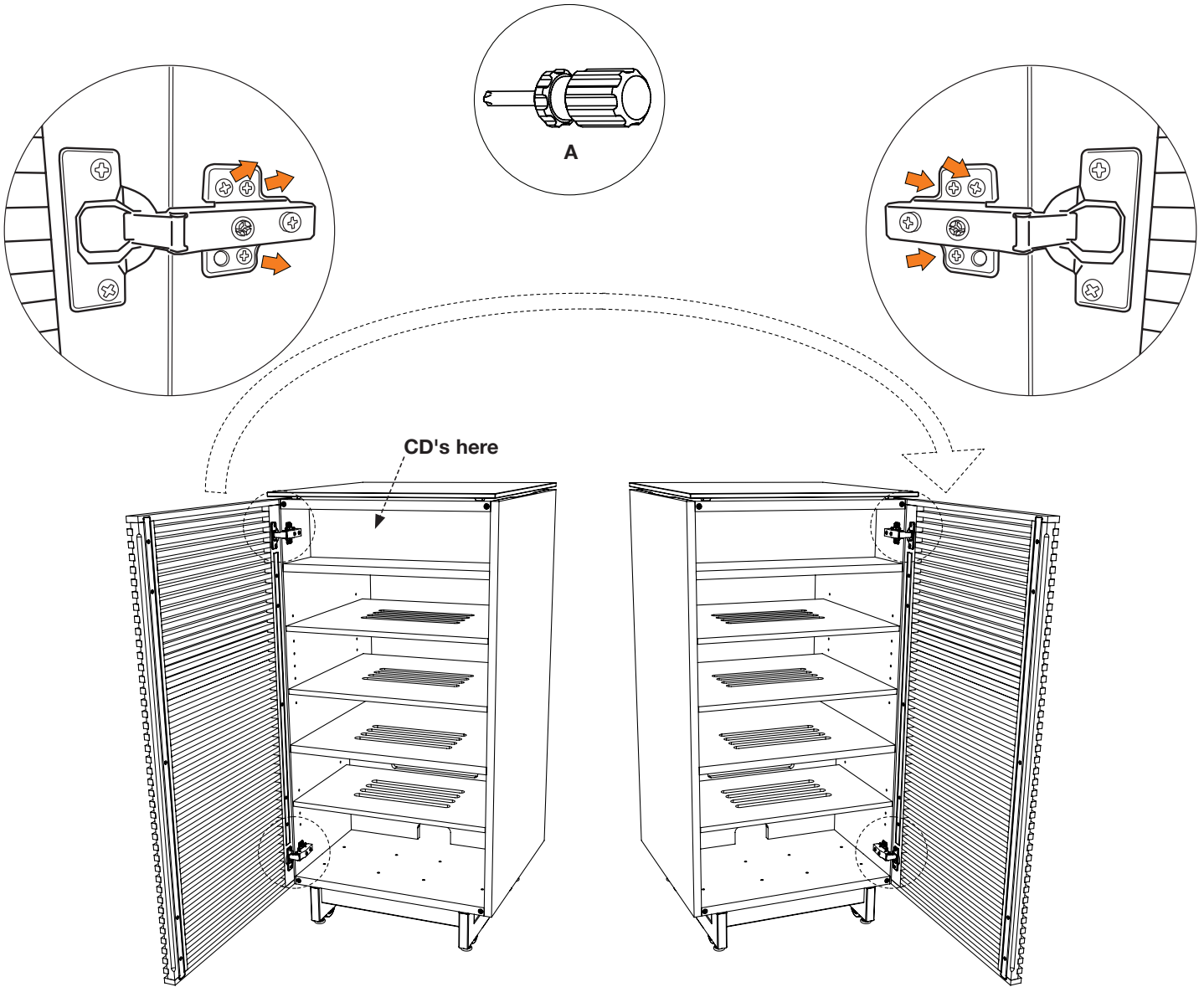
LP Record Storage

This cabinet is designed to store LP Records by placing **LP Storage Bars L** into designated holes in bottom of **Cabinet C**. **LP Storage Bars L** can be stored by placing them in designated holes in back of **Cabinet C** when not in use (see below)



Reverse Door-Swing if desired

The door on the Corridor AV Tower can either hinge left or right. To change sides, remove the screws using a Phillips Screwdriver (A) that secure the hinge plates to the cabinet. Rotate the door 180° (up side down) and reattach the door with the same screws going into the threaded inserts on the other side of the cabinet as illustrated.

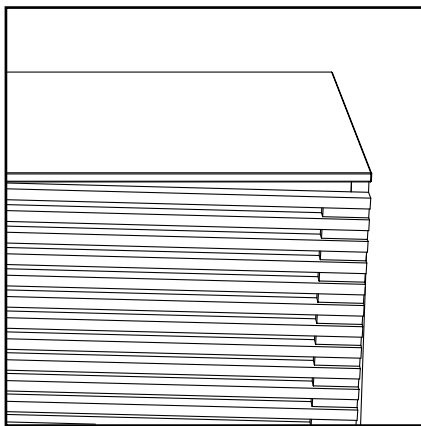


Fine tuning your new BDI Corridor Home Theater Furniture

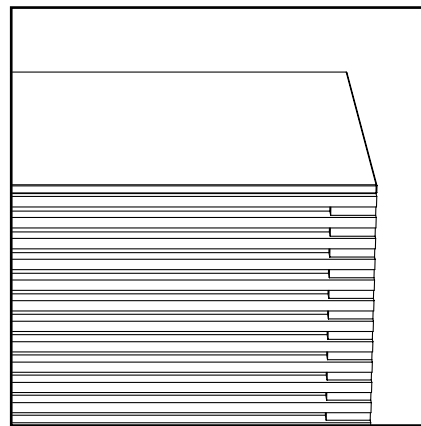
These steps are to be followed after you have unpacked and completed the simple assembly instructions for your Corridor AV cabinet. Due to jostling in freight or perhaps an uneven floor, the doors on your Corridor cabinet may not appear to be in perfect alignment. Making a few minor adjustments can rectify this situation. Be aware that depending on your situation, patience and a bit of trial and error are required. The high-quality European hinge hardware is infinitely adjustable, but changing one element can cause the need for further adjustments. Through a little adjustment, you can modify the orientation of the cabinet doors to make sure that they are sitting perfectly on your Corridor unit.

STEP 1 - Level your Corridor unit

Levelers are integrated into each leg assembly and are accessed at the bottom of each cabinet leg using **Hex Wrench B2**. If your floor is uneven, you may extend one or more levelers to attain a level, stable cabinet placement. Turning the leveler clockwise will extend the leveler; turning it counter-clockwise will retract it.



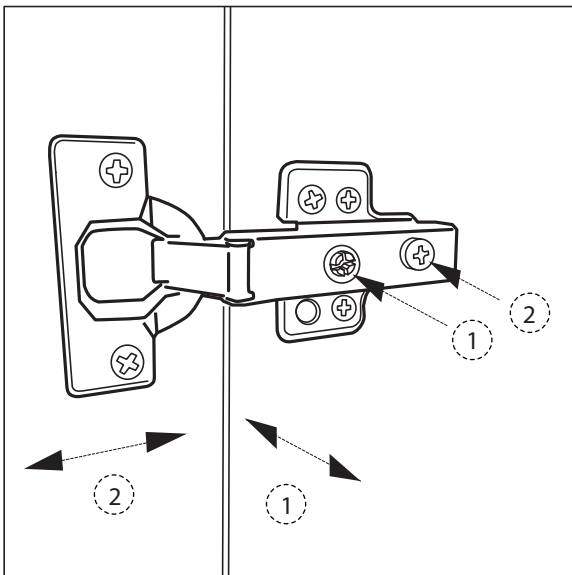
INCORRECT! Door is out of alignment with the rest of the unit.



CORRECT! Door is sitting squarely and evenly spaced on tops and sides.

STEP 2 - Adjust Door Hinges 2.1.1.2.

The doors on your cabinet should be evenly spaced and the doors should open and close freely without rubbing against the door frame.



If the cabinet's doors appear out of alignment, this condition can be corrected with minor adjustment to the European hinges on each door.

Because these hinges are infinitely adjustable, adjusting one hinge element can sometimes cause the need for adjustments to other elements. But with a few adjustments, you can modify the orientation of the cabinet doors to make sure that they hang perfectly within your cabinet.

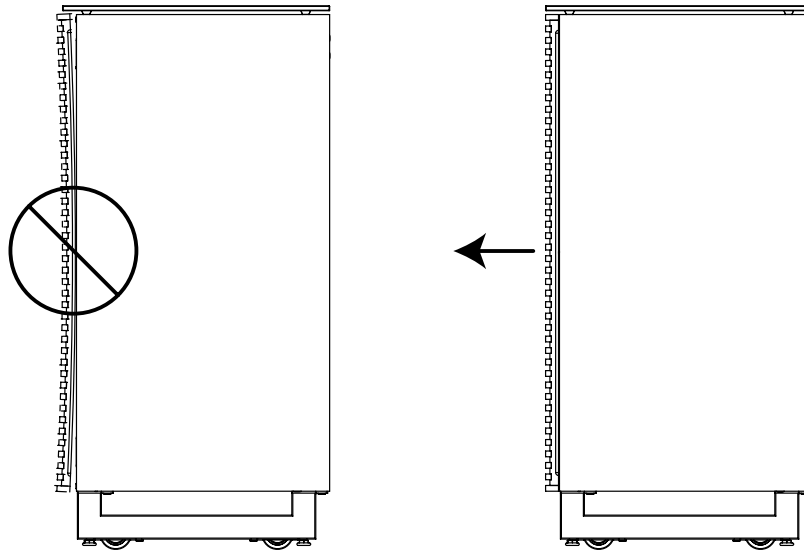
Use the **Phillips Screwdriver A** supplied to adjust Corridor's door hinges:

- By adjusting **Screw 1**, the door will move LEFT or RIGHT within the frame. Make minor adjustments at both top and bottom hinges for best results.
- By adjusting **Screw 2** the entire door will move IN or OUT, opening or closing the gap between the door frame and cabinet. (This screw rarely needs

adjustment.)

Door adjustments

If your door is not straight, the door can be straightened by adjusting the depth of the set screw found in the middle of the 2 metal bars on the back of the door.



Turning the set screws clockwise will push the middle of the door outward.

Turning the set screws counter-clockwise will push the middle of the door inward.

