



TANAMI™ 7109 CREDENZA



Product Registration

Registering your new BDI product allows us to send you important product updates, service information and helpful hints related to your BDI products. Register today, and you will be entered to win free a BINK table from BDI: www.bdiusa.com/register

bdiusa.com
customerservice@bdiusa.com

Placement and Maintenance

Your Tanami Credenza is designed for indoor use on level floors. Clean painted surfaces and steel parts with a moist cloth.

Tanami is engineered for easy assembly. Carefully follow this procedure to prevent any damage. Do not use power tools for assembly of this product.

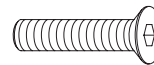
Step 1

Unpack and identify the parts listed below. The assembly workspace should be a non-marring surface such as carpet. For missing hardware pieces, contact BDI Customer Service at: customerservice@bdiusa.com.

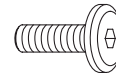
For all other concerns, please contact your BDI retailer.



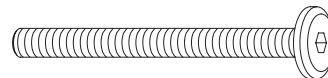
T1 Hex Wrench x 1



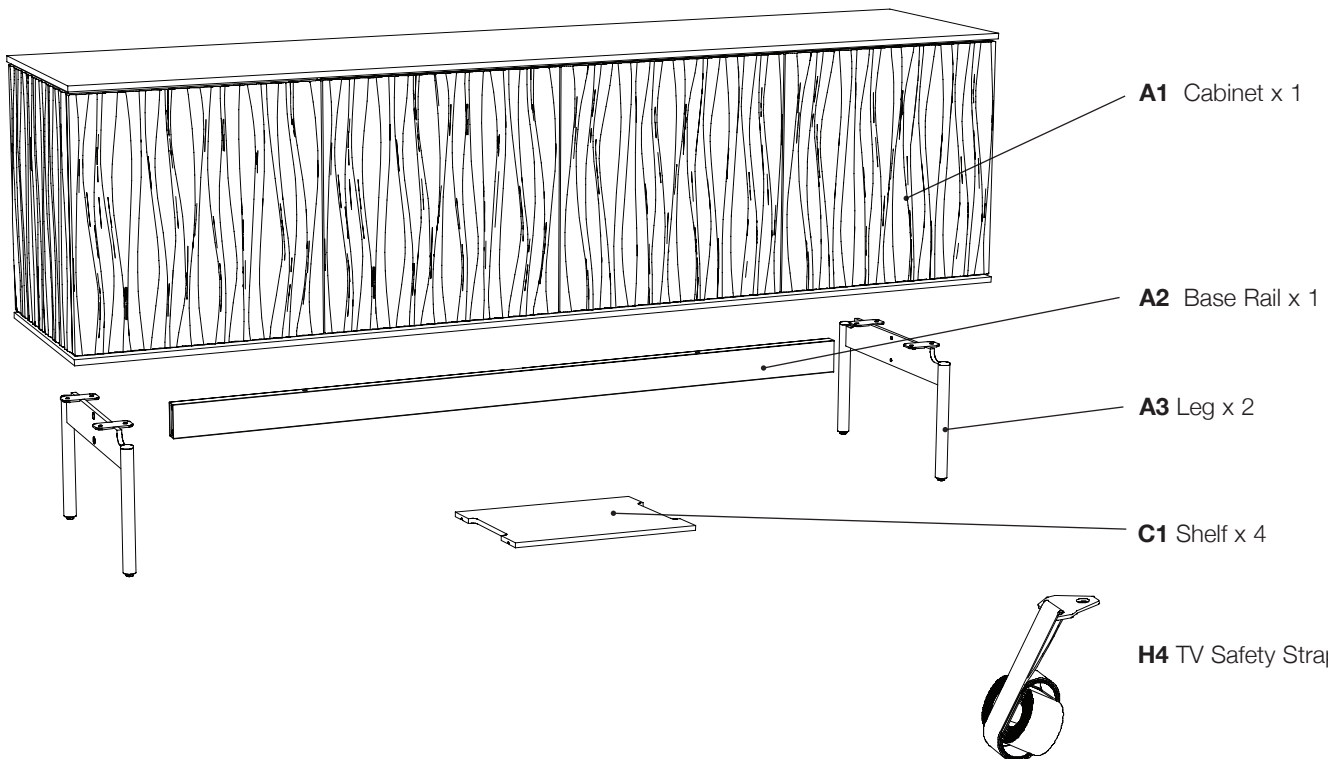
H1 1/4-20 x 25 mm Flathead Screw x 4



H2 1/4-20 x 12 mm Screw x 8



H3 1/4-20 x 80 mm Screw x 2

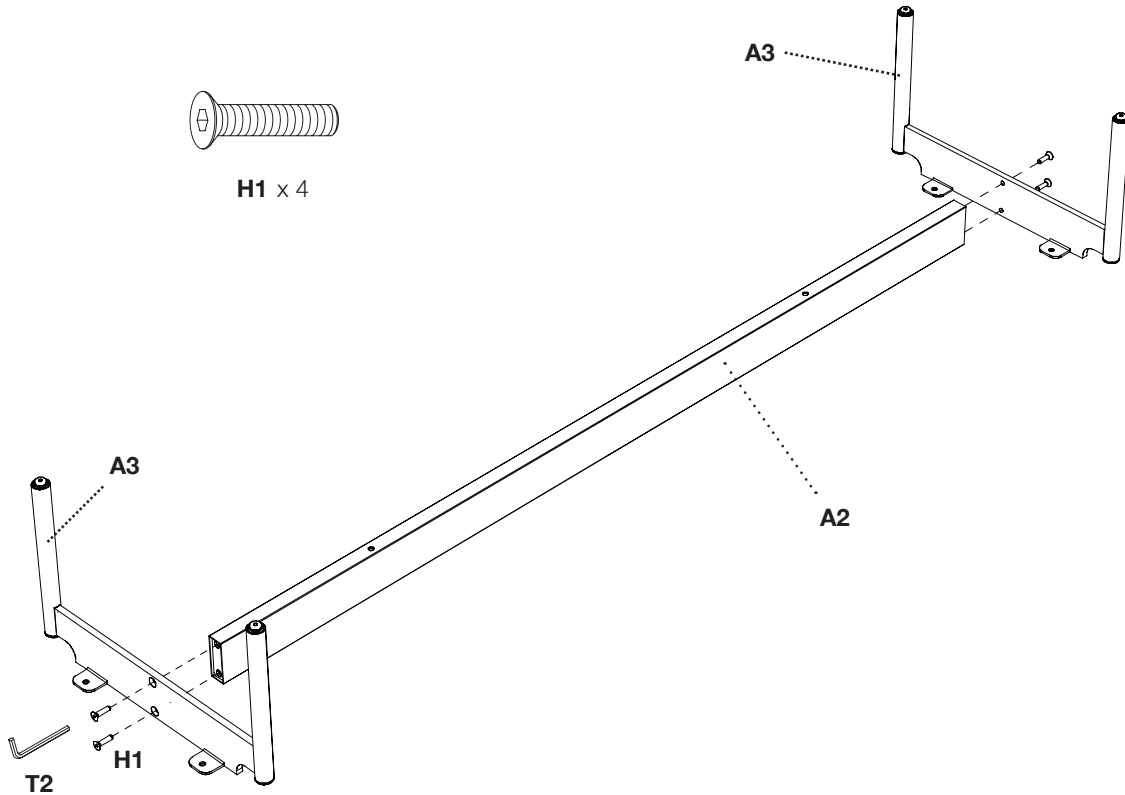


Designed by BDI Studio.

These distinctive product configurations are protected by US and international patents, trade dress, and/or copyright laws. Tanami & BDI are trademarks of Becker Designed, Inc. All rights reserved. ©2016, BDI Made in China. 04.18.2019

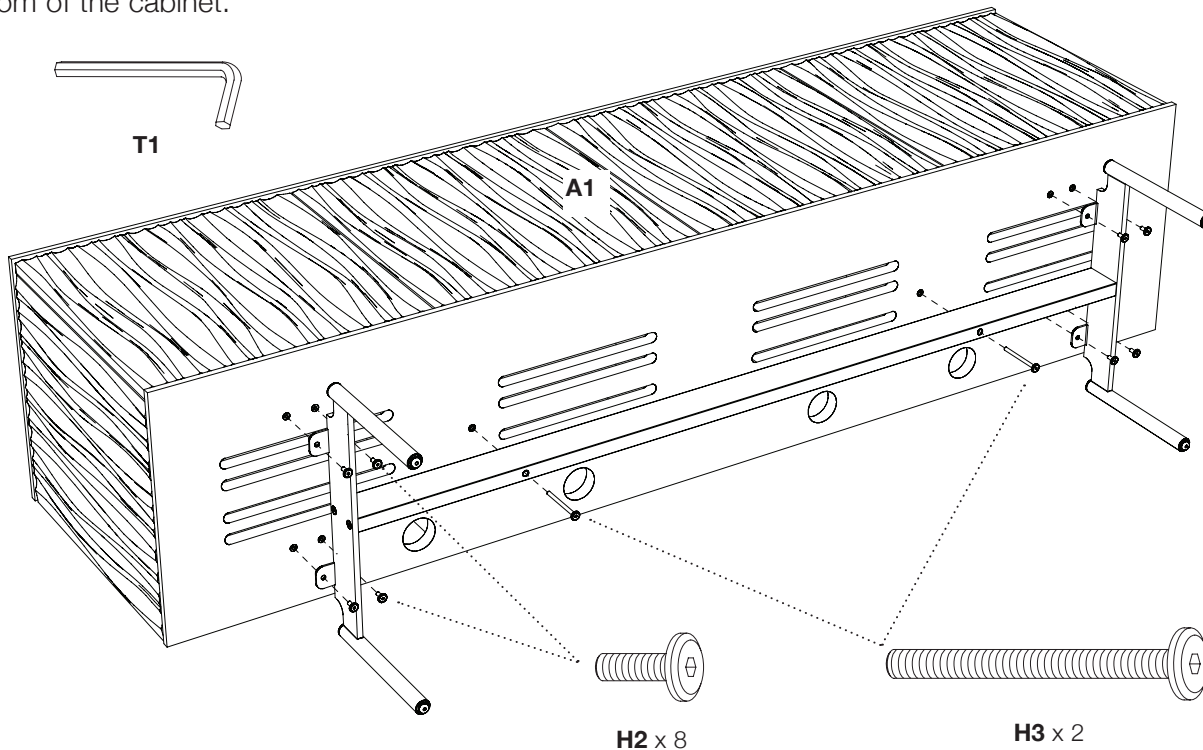
Step 2 - Assemble the base

Attach the **2 Legs A3** to **Base Rail A2** with **4 Flathead Screws H1** using **Hex wrench T1**. Make sure the countersunk holes on the **legs** are positioned on the outside.



Step 3 Attach the base

With help from another person, carefully position the cabinet on its back. Attach the **base** using **8 screws H2** going through the plates and **2 screws H3** going through the **base rail** and into the threaded holes on the bottom of the cabinet.

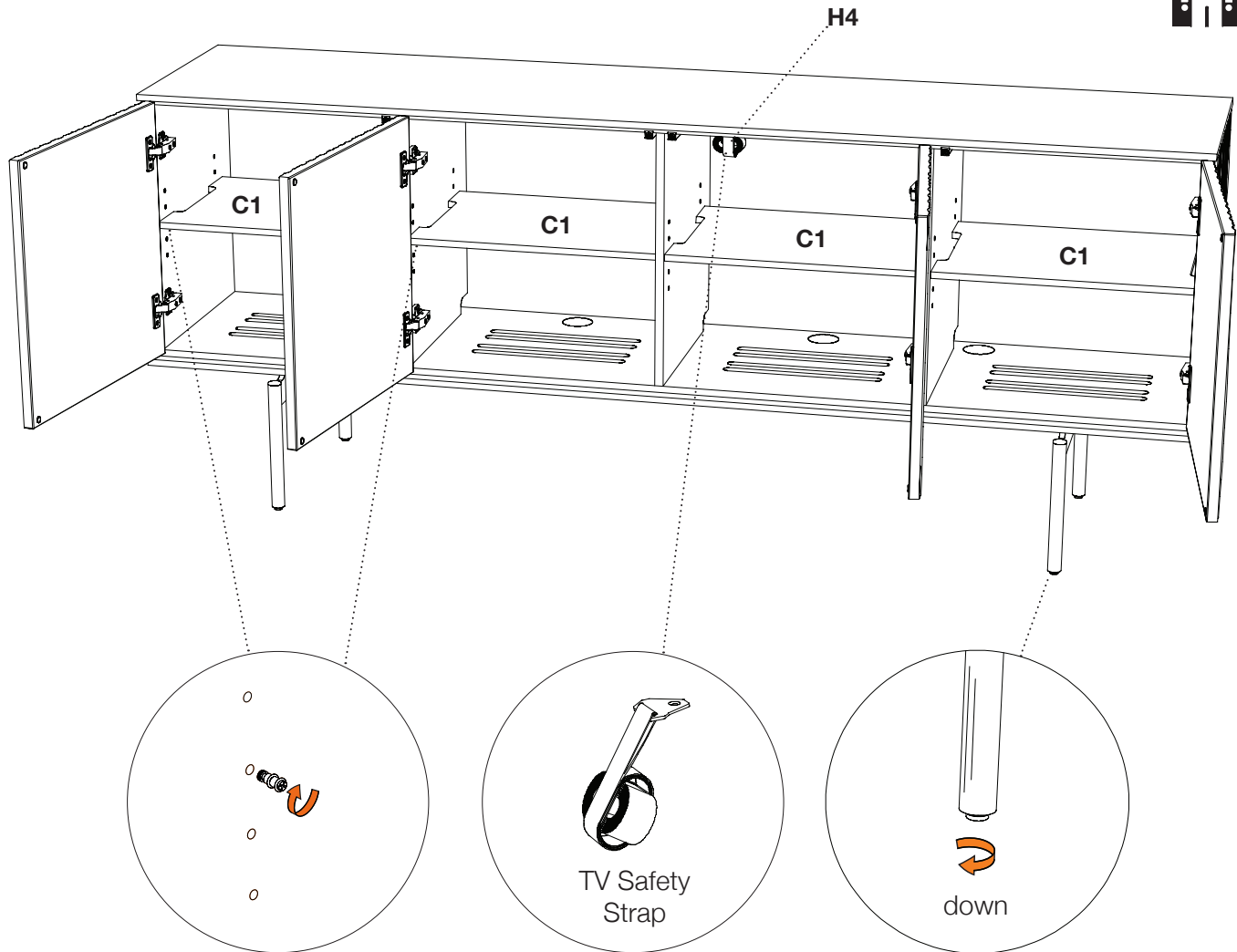


Step 4 Stand Up / Adjust shelves

With help from another person, carefully position the cabinet onto its base. Check to make sure the cabinet is level and that all legs are touching the ground. Adjust levelers if needed. The upper shelves in your Tanami Credenza are adjustable. Shelf pins may be unscrewed and moved up or down.

STEP 5 - Level your unit

Levelers are integrated into each leg assembly and are accessed at the bottom of each cabinet leg. If your floor is uneven, you may extend one or more levelers to attain a level, stable cabinet placement. Turning the leveler clockwise will extend the leveler; turning it counter-clockwise will retract it.

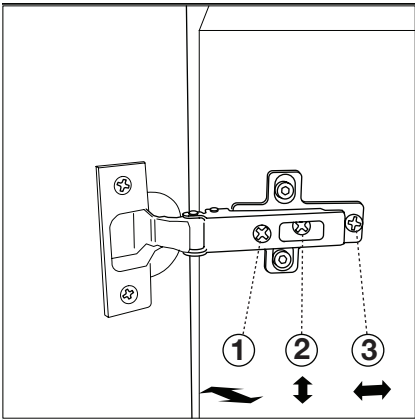


Step 6 Attach the TV Safety Strap

If you intend to place a TV on your Tanami Credenza, it is **strongly recommended** that you use the TV Safety Strap. Find the **TV Safety Strap H4** behind the third door towards the top of the back. Unravel the bundle and push the straps through the hole so that they hang out the back of the unit. Follow the directions on the hang tag to attach the 2 free ends of the strap to your TV.

STEP 7 - Adjust Door Hinges (if needed)

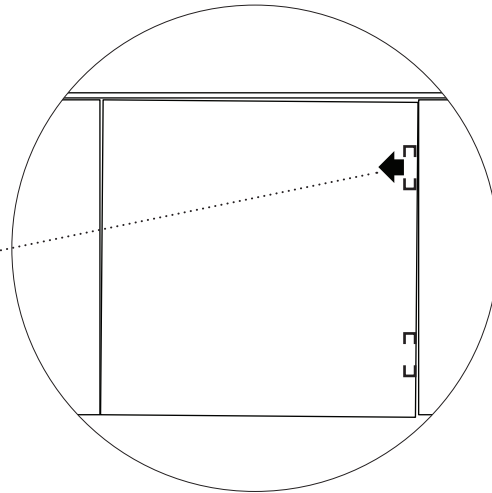
The doors on your cabinet should be evenly spaced and the doors should open and close freely without rubbing against the door frame. If the cabinet's doors appear out of alignment, this condition can be corrected with minor adjustment to the European hinges on each door. Because these hinges are adjustable, adjusting one hinge element can sometimes cause the need for adjustments to other elements. But with a few adjustments, you can modify the orientation of the cabinet doors to make sure that they hang perfectly within your cabinet.



Use a **Phillips Screwdriver** (not supplied) to adjust the door hinges:

- By adjusting **Screw 1**, the door will move LEFT or RIGHT within the frame. Make minor adjustments at both top and bottom hinges for best results.
- By adjusting **Screw 2**, the door will move UP or DOWN. For best results, adjust Screw 2 on both the top and bottom hinges.
- By adjusting **Screw 3** the entire door will move IN or OUT, opening or closing the gap between the door frame and cabinet. (This screw rarely needs adjustment.)

Example:
Tightening screw 1
on top hinge will move the
top of the door in the
direction shown



Example:
Adjusting screw 2
on both hinges (same direction)
will move the door up or down

