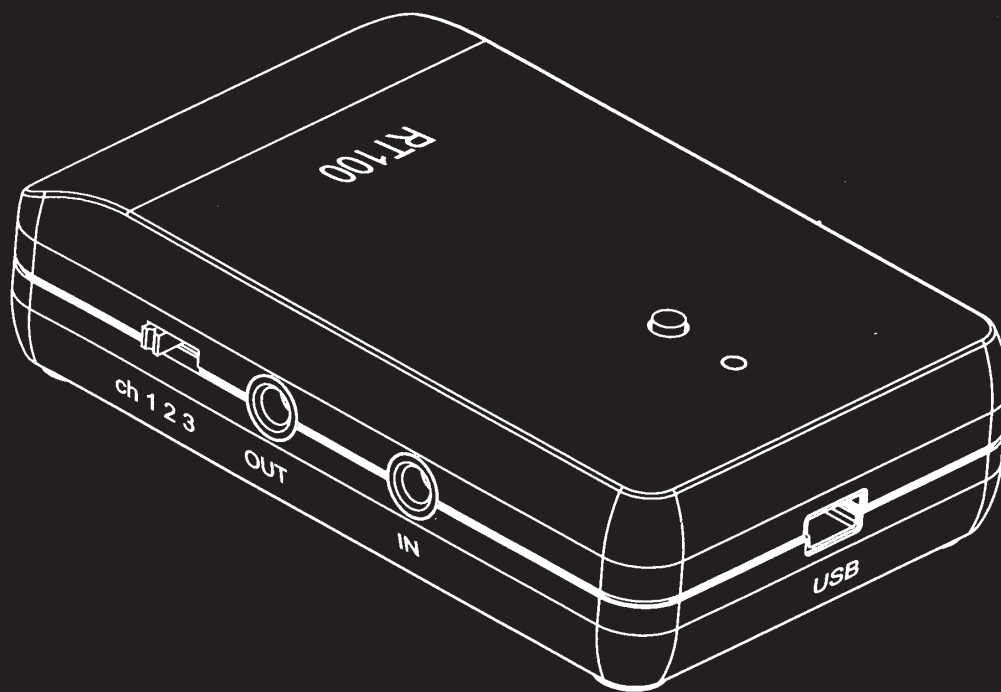


# RT100

## WIRELESS SPEAKER LINK

### User Guide



## SAFETY INFORMATION

This device complies with Part 15 of the FCC Rules. Operation is subject to the following two conditions:

- (1) This device may not cause harmful interference, and
- (2) This device must accept any interference received, including interference that may cause undesired operation.

**Note:** This product has been tested and found to comply with the limits for a Class B digital device, pursuant to Part 15 of the FCC Rules. These limits are designed to provide reasonable protection against harmful interference in a residential installation. This product generates, uses, and can radiate radio frequency energy and, if not installed and used in accordance with the instructions, may cause harmful interference to radio communications. However, there is no guarantee that interference will not occur in a particular installation. If this product does cause harmful interference to radio or television reception, which can be determined by turning the equipment off and on, the user is encouraged to try to correct the interference by one or more of the following measures:

- Reorient or relocate the receiving antenna.
- Increase the separation between the equipment and receiver.
- Connect the equipment into an outlet on a circuit different from that to which the receiver is connected.
- Consult the dealer or an experienced radio/TV technician for help.

Please note that changes or modifications not expressly approved by the party responsible for compliance could void the user's authority to operate the equipment.

This equipment should be installed and operated with a minimum distance 20cm between the radiator and your body

This device complies with Industry Canada licence-exempt RSS standard(s). Operation is subject to the following two conditions:

- (1) this device may not cause interference, and
- (2) this device must accept any interference, including interference that may cause undesired operation of the device.

Under Industry Canada regulations, this radio transmitter may only operate using an antenna of a type and maximum (or lesser) gain approved for the transmitter by Industry Canada. To reduce potential radio interference to other users, the antenna type and its gain should be so chosen that the equivalent isotropically radiated power (e.i.r.p.) is not more than that necessary for successful communication.

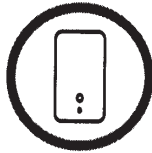
The user manual for local area network devices shall contain instructions related to the restrictions mentioned in the above sections, namely that:

- (I) the device for operation in the band 5150-5250 MHz is only for indoor use to reduce the potential for harmful interference to co-channel mobile satellite systems;
- (II) the maximum antenna gain permitted for devices in the band 5725-5825 MHz shall comply with the e.i.r.p. limits specified for point-to-point and non point-to-point operation as appropriate.

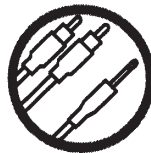
## RESPONSIBLE PARTY

Lenbrook Industries Limited.  
633 Granite Court, Pickering, Ontario, Canada L1W 3K1

## WHAT'S IN THE BOX



RT100 Wireless  
Speaker Link



Stereo RCA to  
3.5mm Cable



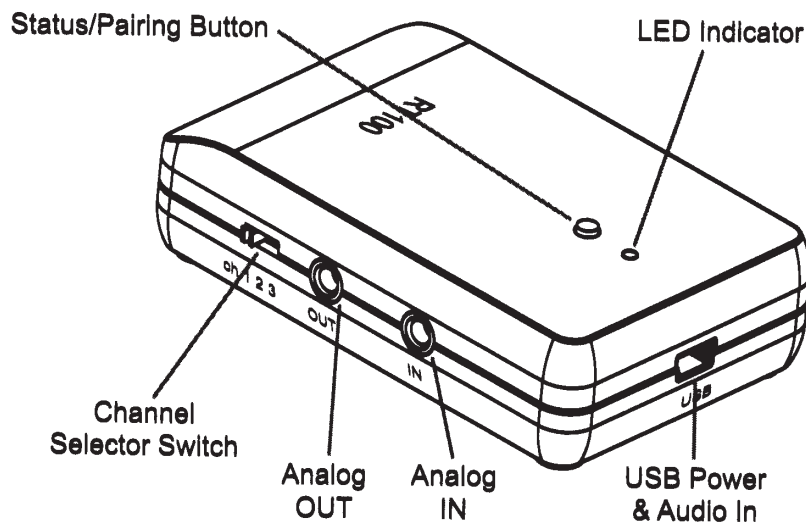
Mini USB Cable



Two Adhesive  
Mounting Strips

## GETTING STARTED

The RT100 Wireless Speaker Link provides a quick and easy way to wirelessly connect your audio components. Using its own dedicated network, the RT100 can pair with another RT100, or synchronous devices, to create a flexible multi-unit wireless audio setup.



## LED Indications

LED Colour	INDICATES	NOTES
Solid Blue	RT100 In Transmit (Tx) Mode	
Solid Yellow	RT100 In Receive (Rx) Mode	
Solid White	USB Audio Input	Available in Tx Mode only
Solid Magenta	Analog Audio Input	Available in Tx Mode only
Flashing Green (fast)	RT100 In Pairing Mode	Three Red Flashes indicates failed pairing
Solid Green	RT100 paired with another module	
Flashing Green (slow)	RT100 disconnected from paired device	

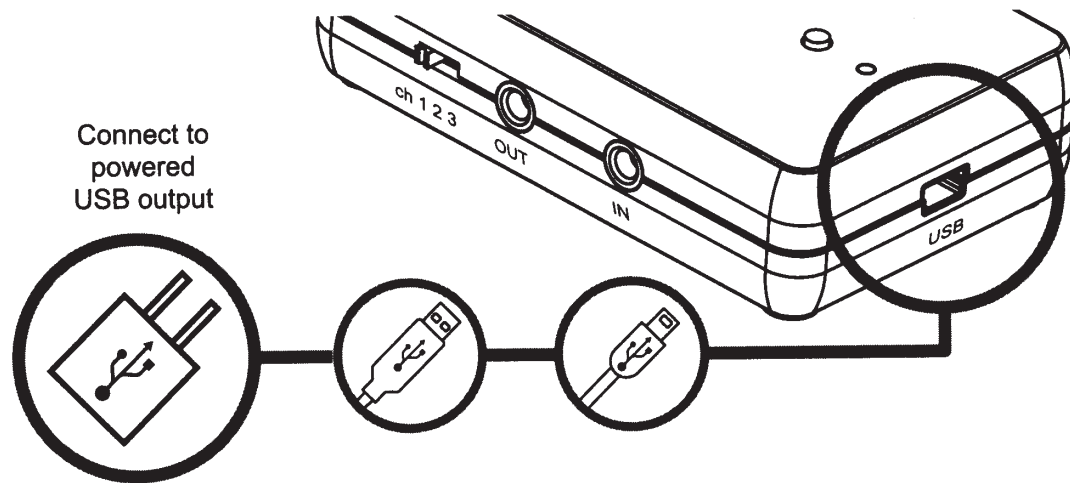
## Status/Pairing Button:

Pressing the Status/Pairing Button is a quick way to check the current status of the RT100. The LED will run through a series of colors, first indicating mode, then input, and finally pairing status.

For example, if you press the Status/Pairing button and the LED shows Solid Blue, then Solid Magenta, then Solid Green, the RT100 is functioning as a transmitter, using the analog audio input, and is successfully paired with another module.

## CONNECT FOR POWER

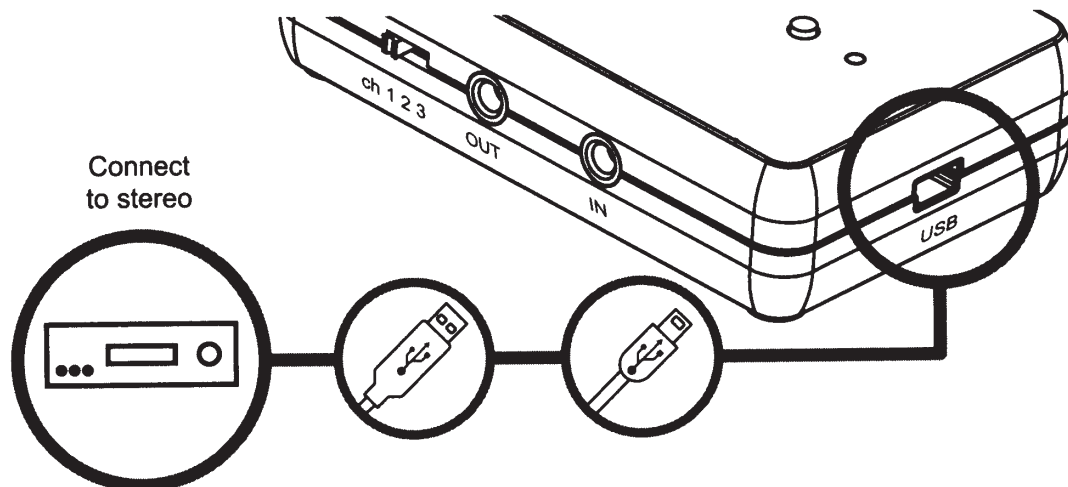
Use the Mini USB Cable provided to power the RT100, by plugging into a compatible wall charger (not supplied) or powered USB output located on the intended connected device.



## CONNECT FOR SOUND

### The RT100 As A Transmitting Device (Tx Mode) – USB Audio

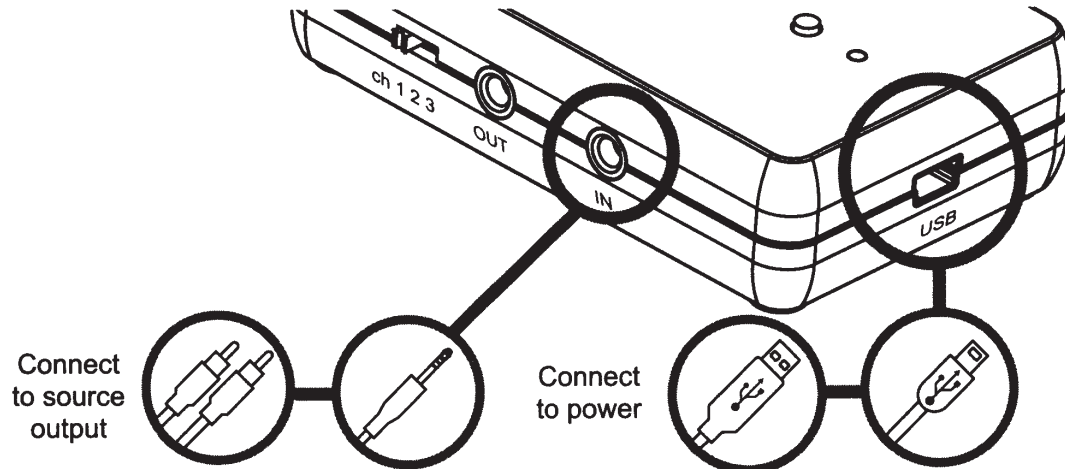
When you first plug in the Mini USB Cable and there are no analog connections attached, the RT100 will be in Tx Mode and set to use USB Audio by default. Connecting the RT100 to your source device will take advantage of this feature if USB Audio is available from the source. USB Audio is available in Tx Mode only - you cannot use USB to pass audio out of the RT100.



**NOTE:** Please see the **POPULAR CONFIGURATIONS** section for example diagrams of different ways to connect your RT100.

## The RT100 As A Transmitting Device (Tx Mode) – Analog Audio

For Analog Audio in Tx Mode, use the Stereo RCA to 3.5mm Cable provided. Connect from your source output to the 3.5mm Input on the RT100. Analog will take priority over USB Audio once connected. Ensure nothing is connected to the 3.5mm Output.

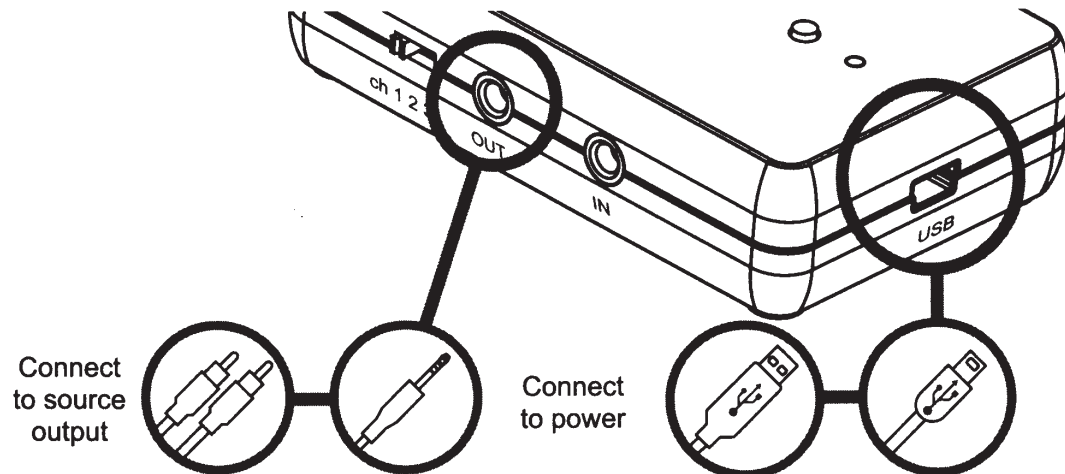


## The RT100 As A Receiving Device (Rx Mode)

Use the Stereo RCA to 3.5mm cable provided to connect the 3.5mm Output on the RT100 to an input on your end component. Ensure nothing is connected to the 3.5mm Input on the RT100.

USB Audio is available in Tx Mode only and cannot be used in Rx Mode. You must still plug into the USB for power.

**NOTE:** We recommend that all cable connections are made when all your equipment is turned off.



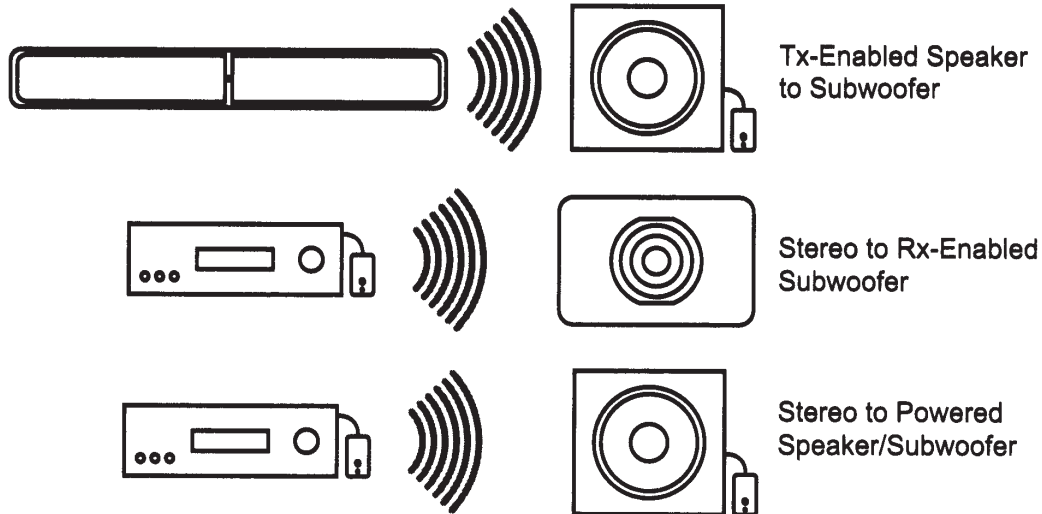
## CONNECT WIRELESS

To wirelessly pair the RT100:

- 1) Press and hold the Status/Pairing button for at least 3 seconds, then release.
- 2) Once released, the LED will start flashing Green, indicating that the RT100 is in Pairing Mode.
- 3) Repeat the process on the other device (this might be another RT100 or a separate synchronous device in the ecosystem).
- 4) The LED will turn Solid Green once the RT100 has successfully paired.

For the most consistent results, you should start the pairing process on the Rx device first. You can pair up to two Rx devices to a single Tx device, but only one at a time. To pair a second Rx device within the same setup, simply run the pairing process again between second Rx device and the Tx device. There is no need to re-pair the first Rx device as it is already connected.

## POPULAR CONFIGURATIONS

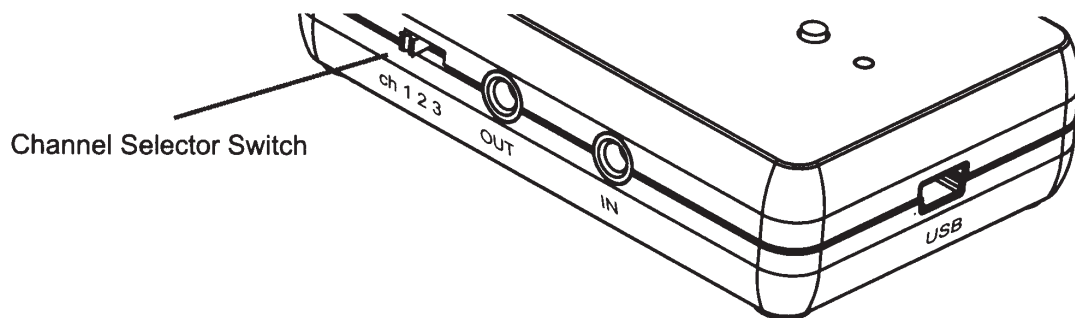


## CONNECTING MULTIPLE RT100 SYSTEMS

The RT100 can operate on three different channel IDs, allowing you to use up to three different system setups in the same area. The Channel Selector Switch lets you select the channel ID you wish to use, so that you can specify which modules should be paired together. Ensure all devices are on the same channel ID if they are part of the same setup.

**NOTE:** Certain synchronous products that can pair with the RT100 will only work on a specific channel. Please consult the online help articles for that specific brand and product.

**NOTE:** If you happen to get interference in the signal between paired RT100s, you can also adjust the channel selector switch to see if the connection is improved on a different channel.



## TROUBLESHOOTING

### No Wireless Connection

- Confirm the RT100 is powered on using the Mini USB Cable.
- Confirm the RT100 is paired to a mating device.
- Try selecting a different channel ID if you are using multiple RT100s together.

### No Sound

- Confirm all cable connections are attached correctly.
- Confirm the RT100 is powered on.
- Confirm the RT100 is paired to a mating device.

### No Power

- Confirm the USB Power Source for the RT100 is working.

EN - Lenbrook Industries Ltd reserves the right to change specifications or features without notice. All rights reserved. No part of this publication may be reproduced, stored, or transmitted in any form whatsoever without the written permission of Lenbrook Industries Ltd. © 04/17 17-046

A member of The Lenbrook Group of Companies | 633 Granite Court, Pickering, Ontario L1W 3K1

FR - Lenbrook Industries Ltd se réserve le droit de modifier les spécifications ou les caractéristiques sans préavis. Tous droits réservés. Aucune partie de cette publication ne peut être reproduite, stockée ou transmise sous quelque forme que ce soit sans l'autorisation écrite de Lenbrook Industries Ltd. © 04/17 17-046

Un membre de Lenbrook Group of Companies | 633 Granite Court, Pickering, Ontario L1W 3K1

ES - Lenbrook Industries Ltd se reserva el derecho a modificar las especificaciones o características sin previo aviso. Todos los derechos reservados. Ninguna parte de esta publicación puede ser reproducida, almacenada o transmitida de ninguna forma sin el permiso escrito de Lenbrook Industries Ltd. © 04/17 17-046

Miembro de The Lenbrook Group of Companies |  
633 Granite Court, Pickering, Ontario L1W 3K1, Canadá

DE - Lenbrook Industries Ltd se reserva el derecho a modificar las especificaciones o características sin previo aviso. Todos los derechos reservados. Ninguna parte de esta publicación puede ser reproducida, almacenada o transmitida de ninguna forma sin el permiso escrito de Lenbrook Industries Ltd. © 04/17 17-046

Miembro de The Lenbrook Group of Companies |  
633 Granite Court, Pickering, Ontario L1W 3K1, Canadá

IT - Lenbrook Industries Ltd si riserva il diritto di modificare le specifiche o le caratteristiche senza preavviso. Tutti i diritti riservati. Nessuna parte di questa pubblicazione può essere riprodotta, memorizzata o trasmessa in qualsiasi forma senza l'autorizzazione scritta di Lenbrook Industries Ltd. © 04/17 17-046

Società appartenente al Gruppo Lenbrook | 633 Granite Court, Pickering, Ontario L1W 3K1

ND - Lenbrook Industries Ltd behoudt zich het recht voor specificaties of functies te wijzigen zonder voorafgaande kennisgeving. Alle rechten voorbehouden. Geen enkel deel van deze publicatie mag worden gereproduceerd, opgeslagen of verzonden, in welke vorm dan ook, zonder de schriftelijke toestemming van Lenbrook Industries Ltd. © 04/17 17-046

Lid van de The Lenbrook Group of Companies | 633 Granite Court, Pickering, Ontario L1W 3K1

POR - A Lenbrook Industries Ltd. reserva-se o direito de alterar as especificações ou as funcionalidades sem aviso prévio. Todos os direitos reservados. É proibida a reprodução, o armazenamento ou a transmissão de qualquer parte desta publicação, por qualquer forma que seja, sem a autorização por escrito da Lenbrook Industries Ltd. © 04/17 17-046

Membro do The Lenbrook Group of Companies | 633 Granite Court, Pickering, Ontario L1W 3K1

RU - Компания Lenbrook Industries Ltd оставляет за собой право изменять спецификации и характеристики без предупреждения. Все права защищены. Запрещается воспроизведение, хранение или передача в любой форме настоящего документа или любой его части без письменного разрешения компании Lenbrook Industries Ltd. © 04/17 17-046

Входит в группу компаний Lenbrook | 633 Granite Court, Pickering, Ontario L1W 3K1

CH - Lenbrook Industries Ltd 保留更改规格或功能的权利，恕不另行通知。保留所有权利。未经 Lenbrook Industries Ltd. 的书面许可，不得以任何形式复制、存储或传输本出版物的任何部分。© 04/17 17-046

Lenbrook 集团旗下公司 | 633 Granite Court, Pickering, Ontario L1W 3K1

# LIMITED WARRANTY

Lenbrook International, a division of Lenbrook Industries Limited, warrants this component to be free from all defects in materials and workmanship as follows: electronic components and electro-mechanical products for one (1) year, parts and labour; loudspeaker and subwoofer drivers for five (5) years; powered speakers and wireless accessories for one (1) year; and headphones for two (2) years.

This warranty is valid only in the country of purchase. This warranty is non-transferable and is valid for the first original purchaser purchasing from an authorized retailer or dealer. Note: This warranty requires proof-of-purchase prior to any in-warranty repairs. Always retain your original sales receipt.

## **How to obtain service:**

For warranty service and information, please contact a local authorized dealer or distributor of the product.

## **What is covered:**

All labour and material expenses for covered items, but you must pay any shipping charges if it is necessary to ship the product to Lenbrook or to an authorized Lenbrook dealer or distributor. If the repairs are covered by the warranty, Lenbrook, the dealer or distributor will pay the return shipping charges.

## **What is not covered:**

This warranty does not cover a component which has been:

1. Damaged in transit or by act of God;
2. Overloaded, abused, misused, or operated with faulty or unsuitable equipment, or contrary to instructions;
3. Serviced by unauthorized personnel;
4. The serial number has been altered or removed.

IN NO EVENT SHALL THE WARRANTOR BE LIABLE FOR INCIDENTAL, OR CONSEQUENTIAL DAMAGES, where damages resulting from breach or express or implied warranties, tort, negligence, or otherwise. Some states, provinces, or countries do not allow exclusion or limitation of incidental or consequential damages so the above limitation or exclusion may not apply to you. This warranty gives you specific legal rights, and you may also have other rights which may vary, based on your state, province or country.

## **WARNING**

**DO NOT ENTRUST ANY REPAIR WORK TO UNAUTHORIZED PERSONS. THE COMPONENTS NECESSARY TO MAINTAIN THE ORIGINAL PERFORMANCE OF THIS PRODUCT ARE AVAILABLE ONLY THROUGH AUTHORIZED DEALERS AND DISTRIBUTORS. THE WARRANTY WILL BE INVALIDATED IF THE EQUIPMENT IS TAMPERED WITH OR INCORRECT PARTS ARE SUBSTITUTED.**



LENBROOK INTERNATIONAL, A DIVISION OF LENBROOK INDUSTRIES LIMITED,  
633 GRANITE COURT, PICKERING, ONTARIO L1W 3K1