

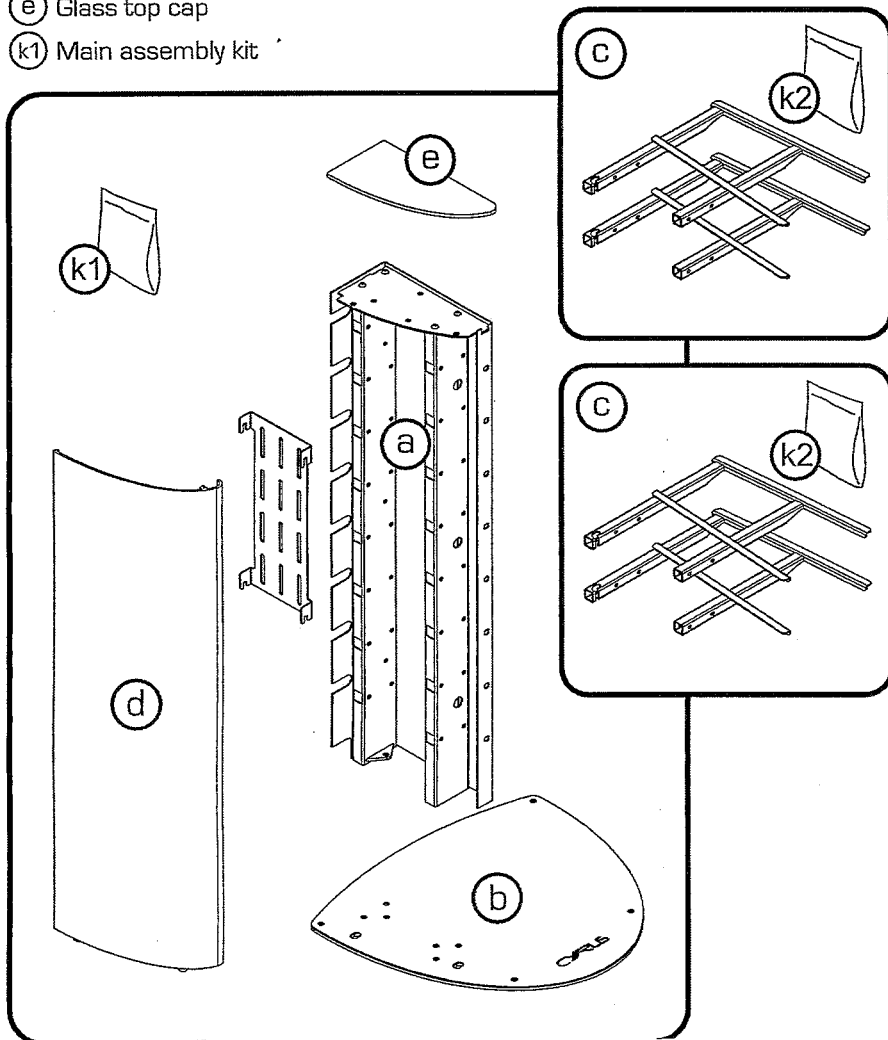
# CYRUS

## HARK<sup>2</sup>

### Assembly Instructions

#### What's in the box

- (a) Main mast incorporating power block mounting plate
- (b) Base assembly
- (c) Shelf kit containing one pair of shelves and shelf fixing kit [k2]
- (d) Aluminium side trim
- (e) Glass top cap
- (k1) Main assembly kit



Please read these notes first:

- Read these instructions carefully before installing your equipment.
- Install the rack in a suitable location on a flat, horizontal surface.
- Do not attempt to alter or modify any part of the rack or it's attachments.
- Do not use if any parts are broken or appear to be damaged.
- Tighten all bolts and fixings securely. Only use fixings provided with this rack.
- Do not mount your equipment near to sources of heat or moisture.
- Always have a minimum of two persons to assemble the rack to avoid damage or personal injury.
- Clean the rack only with a soft, damp cloth. Do not use chemical or spirit cleaners

#### (k1) Main Assembly kit



M8 x 20mm  
F0165  
**x8**



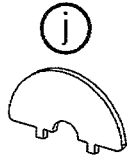
6mm Spacer  
F0201  
**x2**



M8 Spike  
MAZ0143  
**x4**

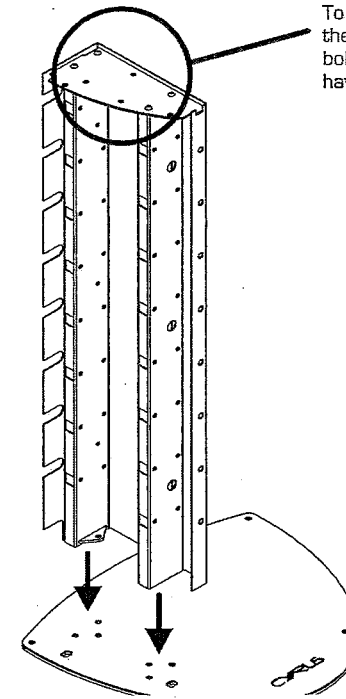


M8 Lock Nut  
MAZ0143  
**x4**



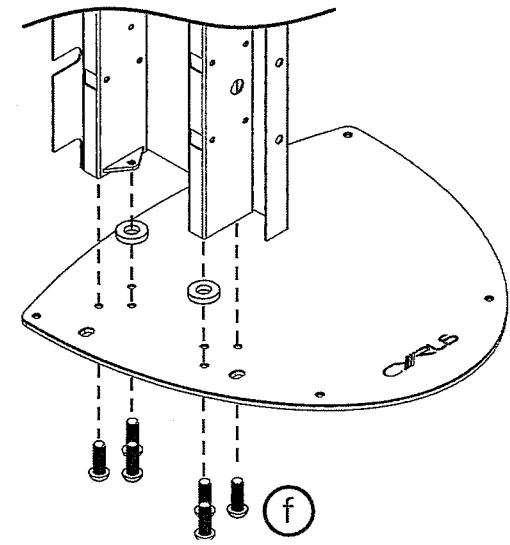
Lock Nut Spanner  
AM0299  
**x1**

#### 1 Attach main mast to base assembly

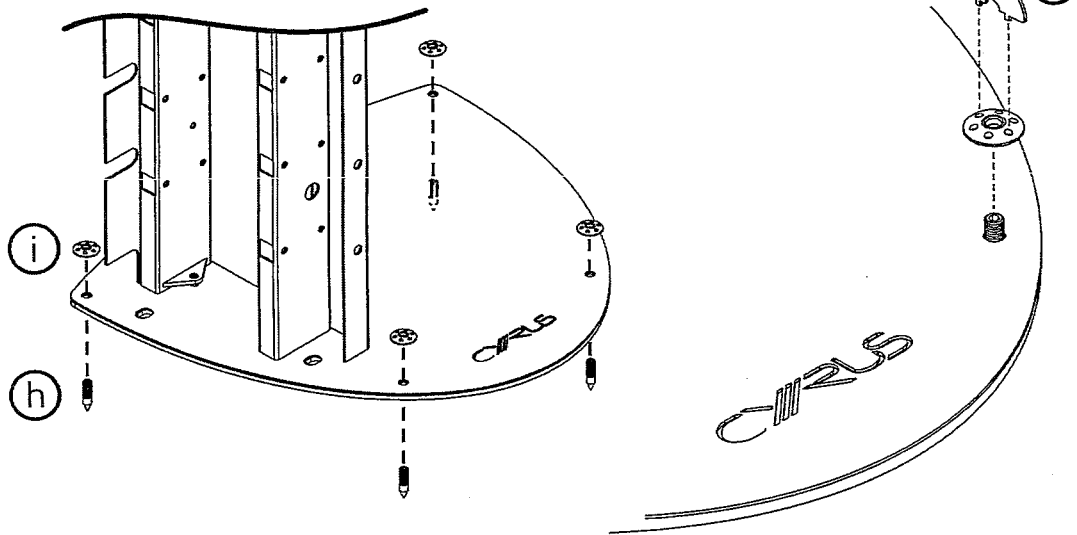


#### NOTE:

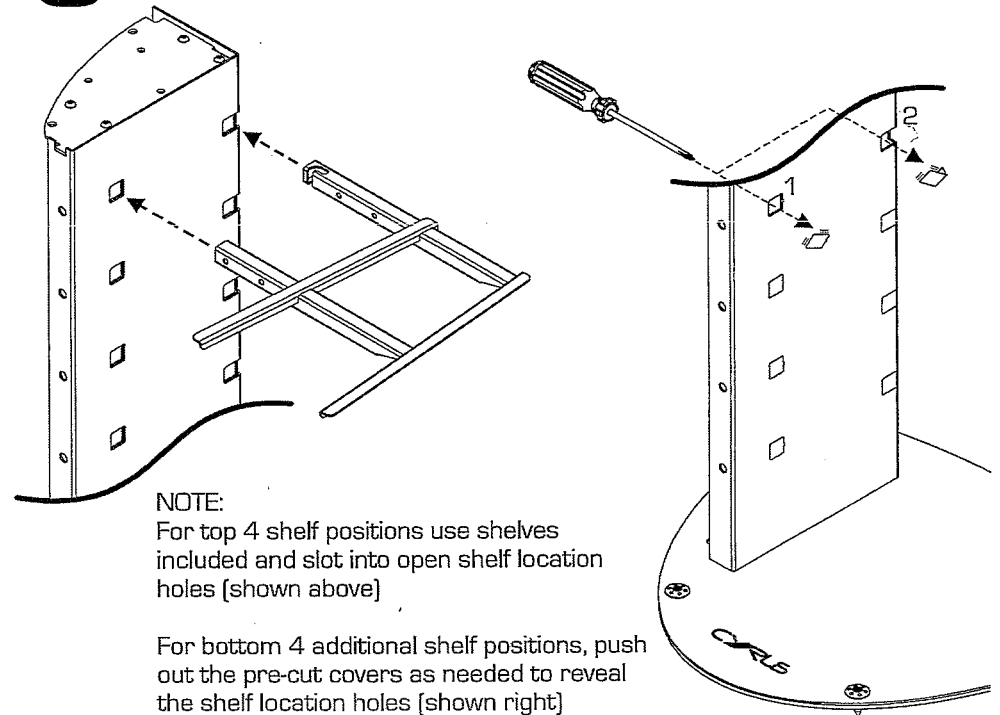
To ease the fitting of the base, slightly loosen the 4 pre-assembled top screws whilst locating bolts 'f'. Make sure you tighten these once you have successfully fitted the base.



## 2 Insert and adjust spikes

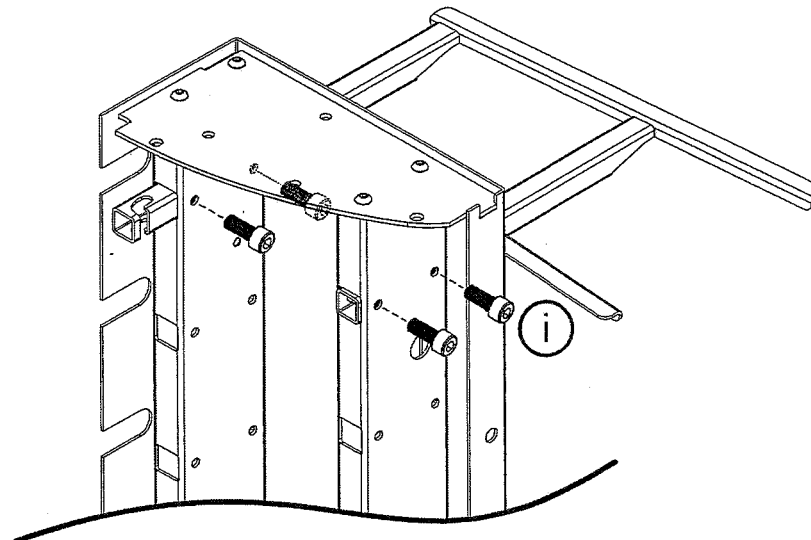


## 3 Insert Shelves

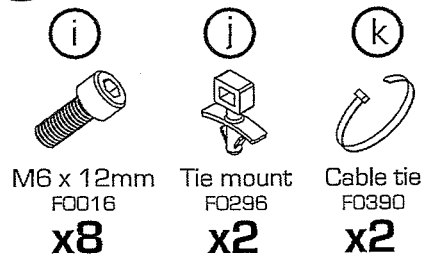


## 4 Secure shelves

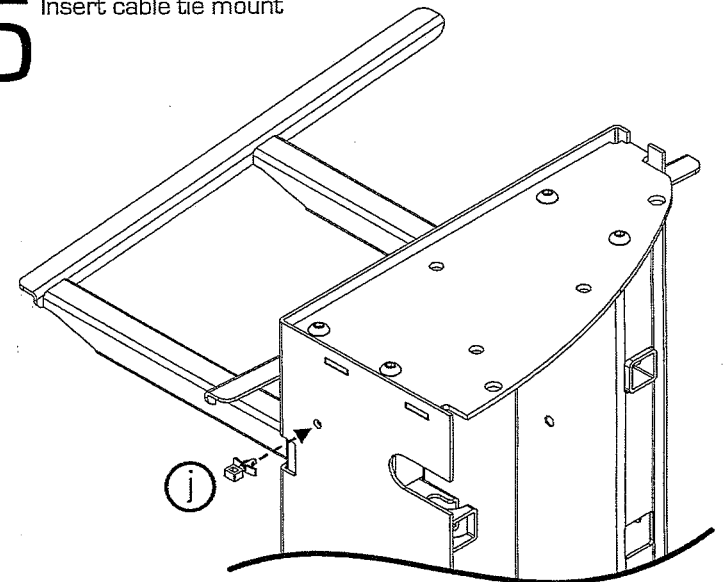
NOTE:  
Repeat fixing as shown right for all shelves



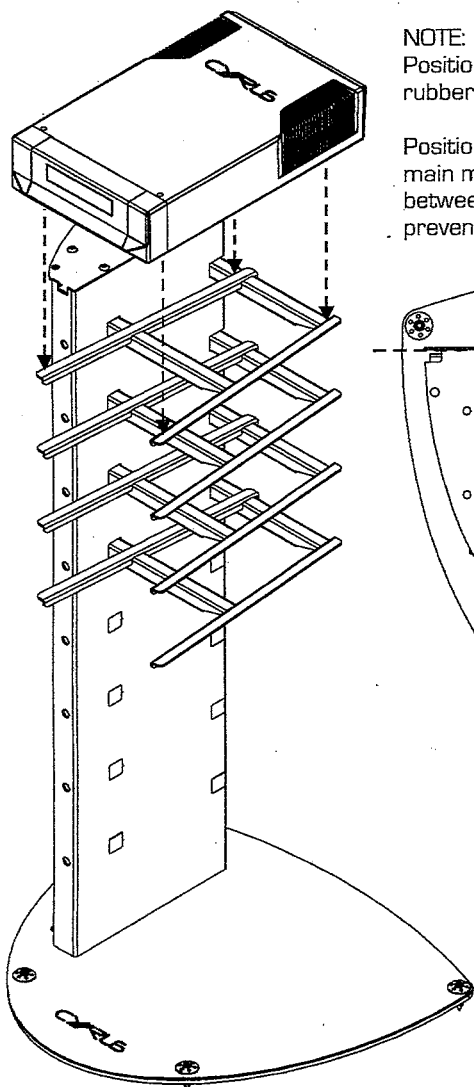
### (k2) Shelf fixing kit (per pair)



## 5 Insert cable tie mount

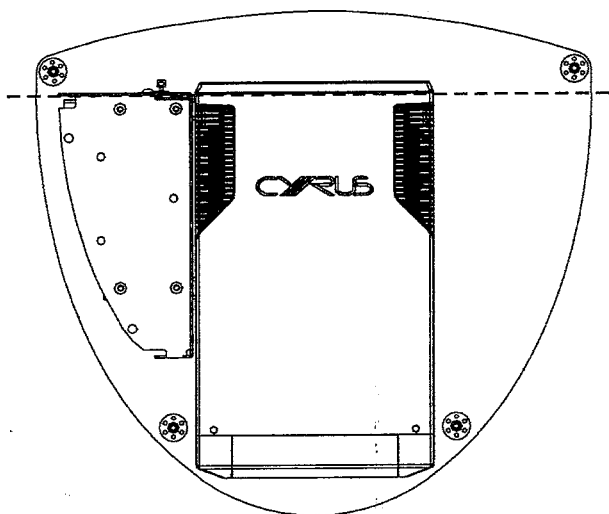


## 6 Position Equipment on shelves



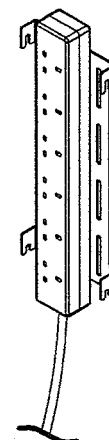
NOTE:  
Position equipment on shelf making sure that all rubber feet line up with support rails (shown left)

Position product with rear lip lining up with rear of main mast (shown below). Leave a small gap between the edge of the product and the mast to prevent vibration.

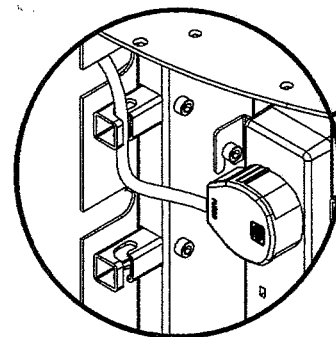


## 7 Cable management

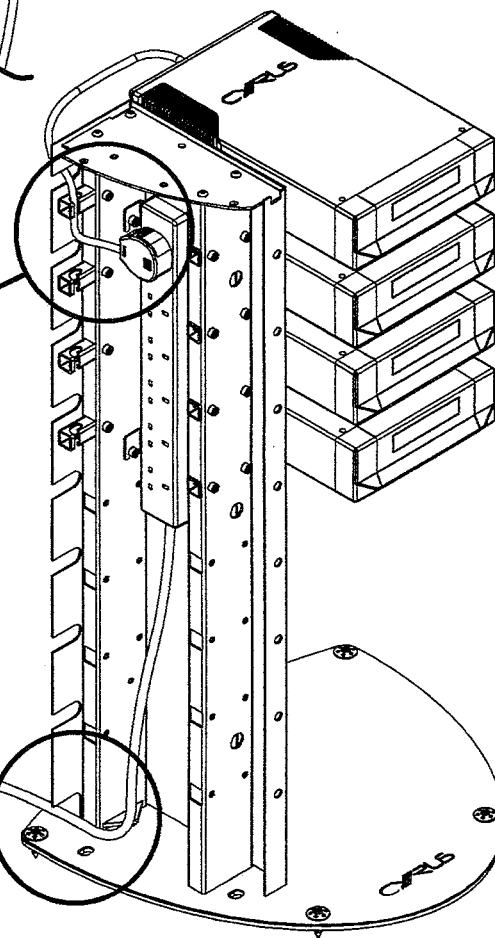
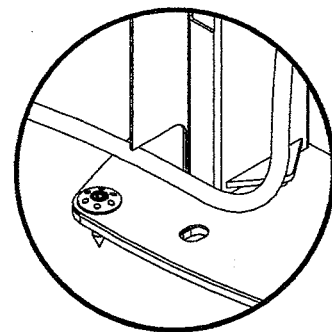
NOTE:  
Attach power block to power block mounting plate using fixings which are appropriate to the design of the power block (right). Then re-mount the power block plate into the main mast using the 4 pre-installed fixings.



NOTE:  
Thread cable through hooks as shown above to tidy install and prevent pulling



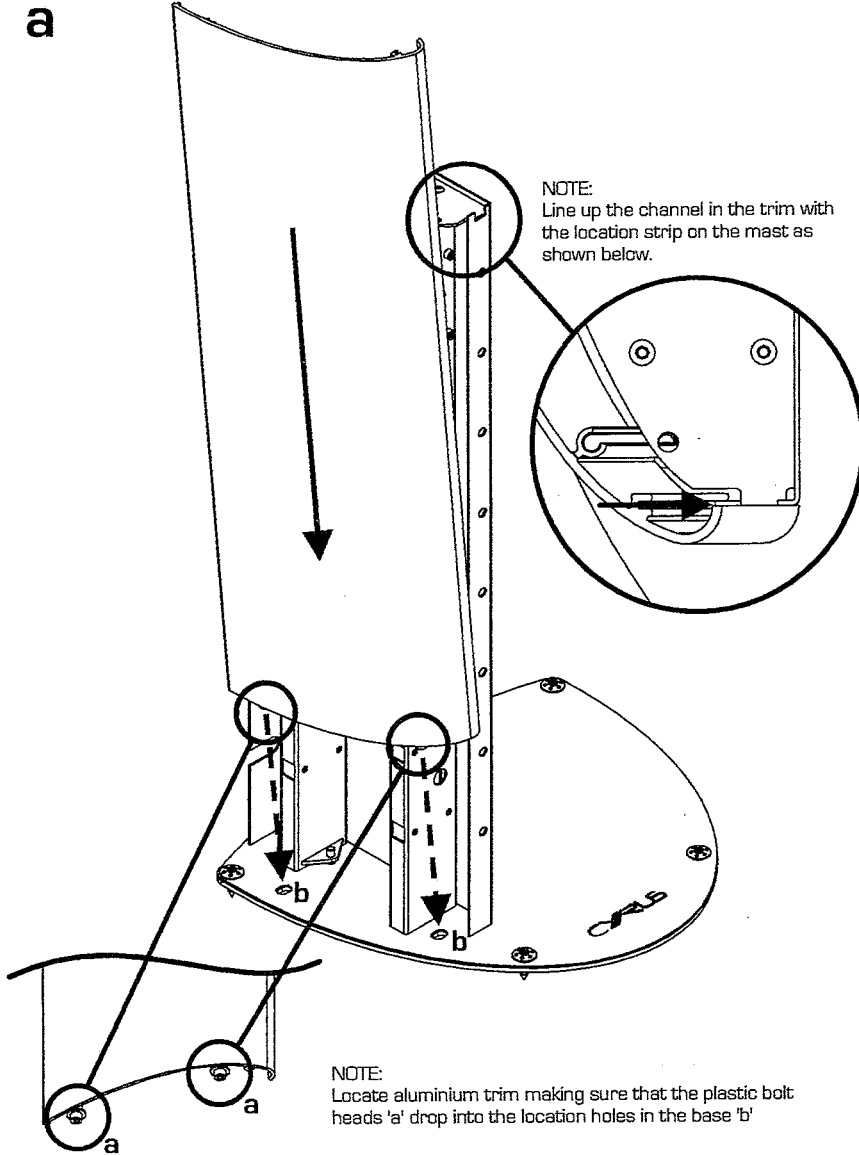
NOTE:  
Dress power cable through bottom hole as shown above.



# 8

Add aluminium side trim to main mast

NOTE:  
Parts have been removed from this view for clarity. All your shelves, equipment and power cables must be in place before adding the trim parts.



# 9

Add glass top cap to main mast

NOTE:  
Push glass trim onto top of main mast with rubber prongs locating into the three corresponding holes. The glass trim can be pushed down firmly until it bottoms out on the main mast.

