

Item No. 951045-0-08

# DALI EPICON STAND MANUAL



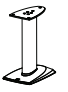
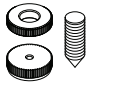
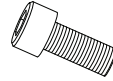

IN ADMIRATION OF MUSIC

■ DALI Denmark +45 9672 1155 ■  
[www.dali-speakers.com](http://www.dali-speakers.com)



IN ADMIRATION OF MUSIC

TABLE 1

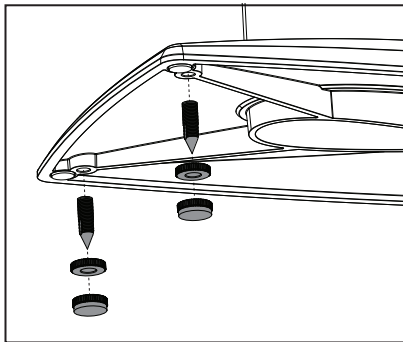
Item	Pcs.
	1
	4
	3
	1

**Package contents**

Congratulations with your new DALI EPICON STAND.

Unpack all the parts and make sure that all parts are present (see table 1). Be careful not to damage the parts during handling. Keep the packaging materials should your stand need to be relocated or serviced.

FIGURE 2



The spikes included should be screwed into the four threaded holes in the base of each stand. Make sure that the spikes sit tightly.

Using spikes is an ideal solution when your DALI EPICON STAND is to be placed on a carpet.

**WARNING: Spikes may damage the floor!**

The spikes can be fitted with the floor protection pads.

FIGURE 1

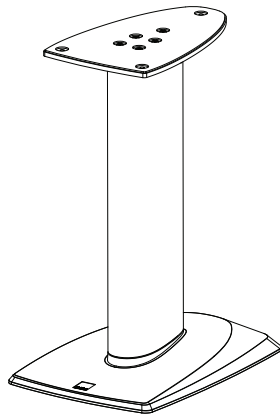
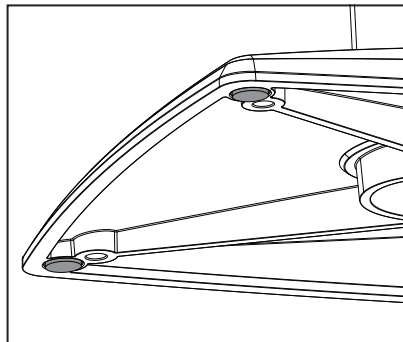


FIGURE 3

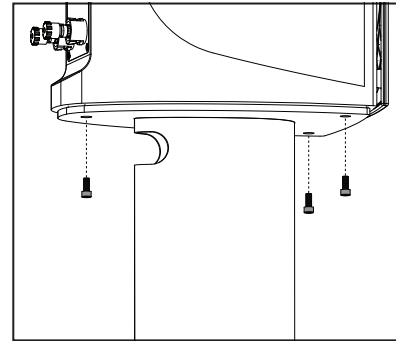


Alternatively, if the stand is to be placed on a surface that can be damaged by spikes – e.g. a wooden floor – we recommend that you use the premounted rubber bumpers instead of spikes.

Place your speaker carefully on top of the DALI EPICON STAND, and connect speaker and amplifier/receiver.

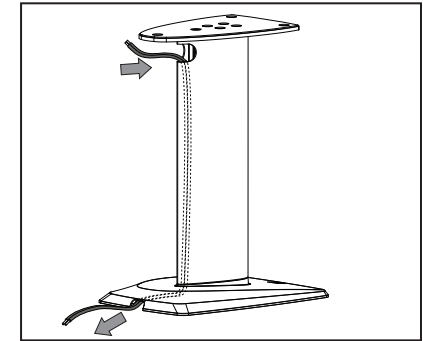
**WARNING: When attaching the speaker to the stand, be careful not to damage the speaker drivers, by pressing the front grille.**

FIGURE 4



Use the enclosed 3 screws to fix the DALI EPICON 2 or DALI EPICON VOKAL to the stand.

FIGURE 5



Place the DALI EPICON STAND upright, and insert your loudspeaker cable into the hole at the back of the stand. Run the cable through the stand, and pull it from underneath the base.

Position your DALI EPICON STAND in the desired location on the floor, and make sure that it stands steadily without rocking.

**Note:** In general DALI speakers are constructed from our Wide Dispersion principle meaning that they should not be toed in, but positioned parallel to the rear wall.

**Cleaning**

Do not use agents containing alcohol when cleaning your stands, use normal mild household cleaning agents on a well wrung cloth.

Enjoy your new DALI EPICON STAND.

TABLE 2 - EPICON STAND TECHNICAL SPECIFICATIONS

EPICON STAND	
Dimensions (Without spikes) (H x W x D) [mm]	531 x 275 x 401
Dimensions (H x W x D) [inches]	20.91 x 10.83 x 15.79
Weight [kg/lb]	10.4/22.9
Accessories	DALI SPIKE SET, Manual, 3 x M6 screw

All technical specifications are subject to change without notice.