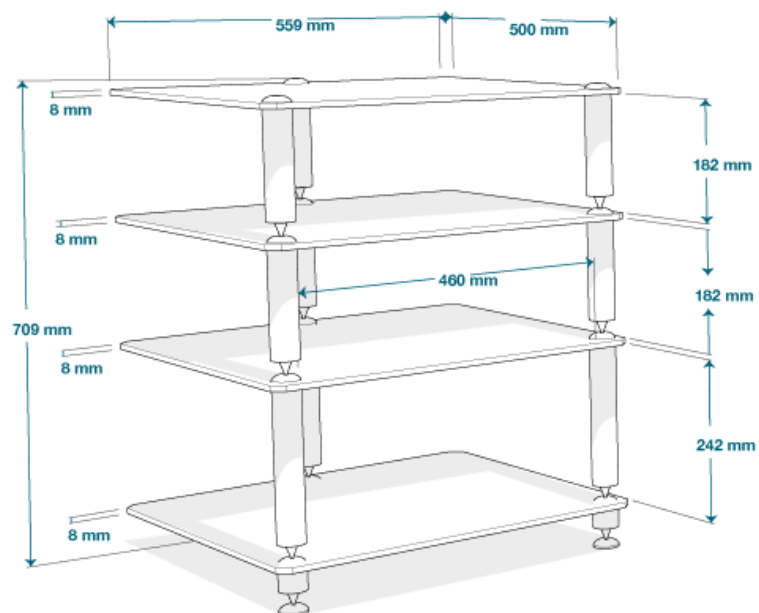


NORSTONE BERGEN 2 DIMENSIONS



MAXIMUM LOAD / CHARGE MAXIMALE

