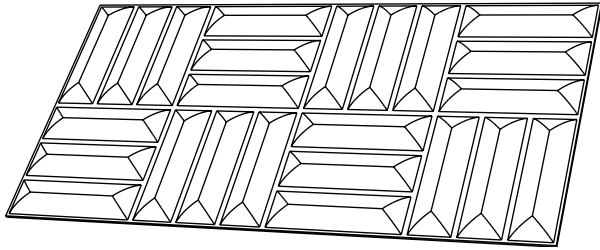


VicWallpaper

INSTALLATION PROCEDURES



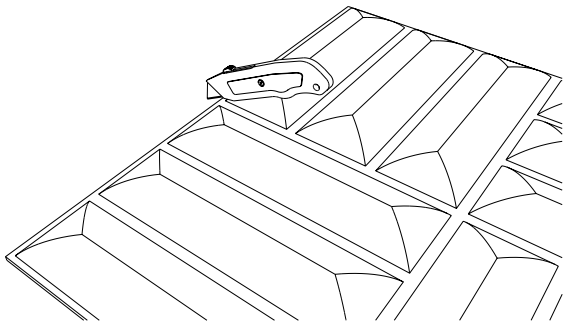
Vicoustic
Innovative Acoustic Solutions



Required Apparatus:

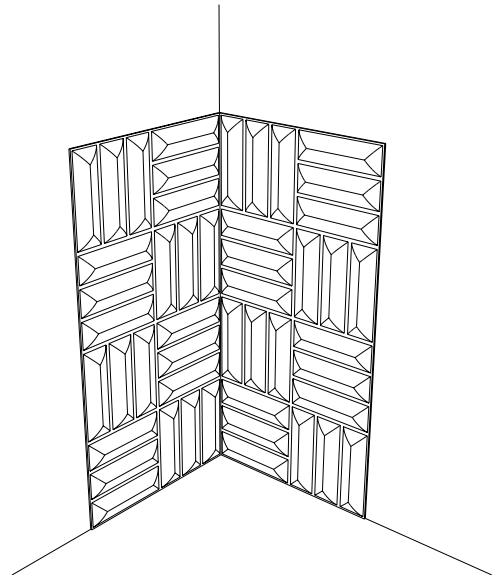
- 1 x VicWallpaper
- 1 x Profile
- 1 x FlexiGlue
- 1 x VicTape Premium
- 1 x Cutter or Craft Knife
- 1 x Ruler

Step 1

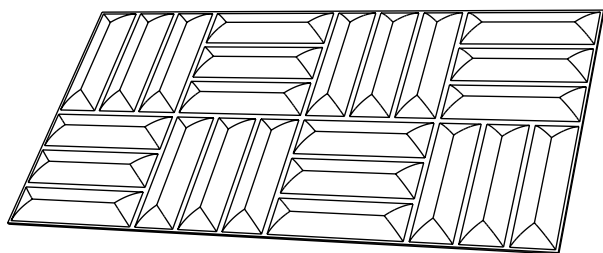


Use a cutter and a ruler to cut the VicWallpaper to the desired length, in order to cover the surface you intend to, or to cut holes for wall fixtures.

Step 2



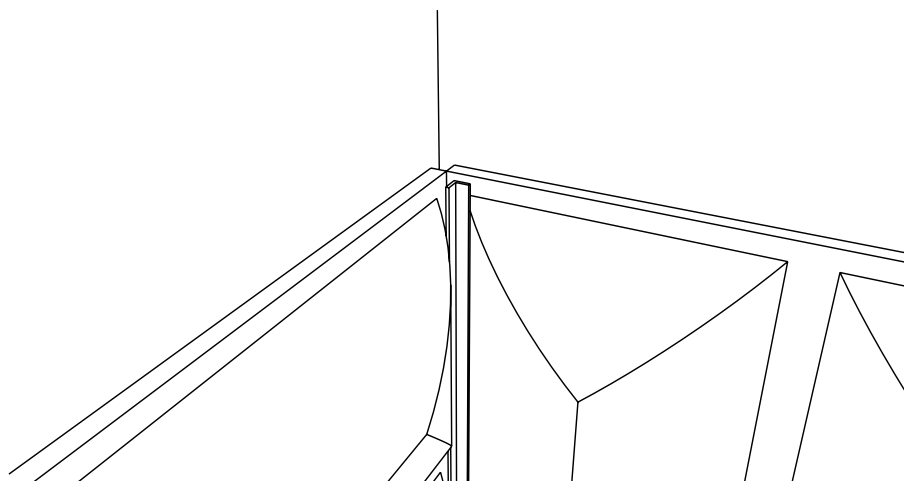
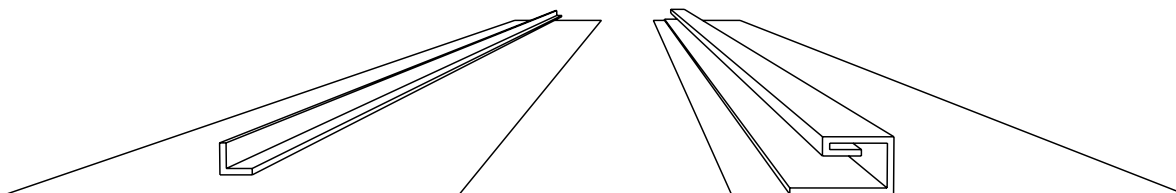
Apply FlexiGlue to the back of the Vicwallpaper, then hold it up against the wall for 20 seconds approximately. Remember to apply the profiles before gluing the VicWallpaper onto the wall.



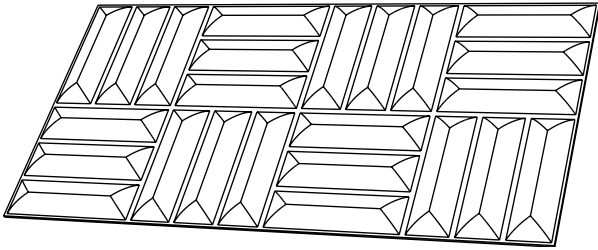
Required Apparatus:

- 1 x VicWallpaper
- 1 x Profile
- 1 x FlexiGlue
- 1 x VicTape Premium
- 1 x Cutter or Craft Knife
- 1 x Ruler

Step 3 (Optional)



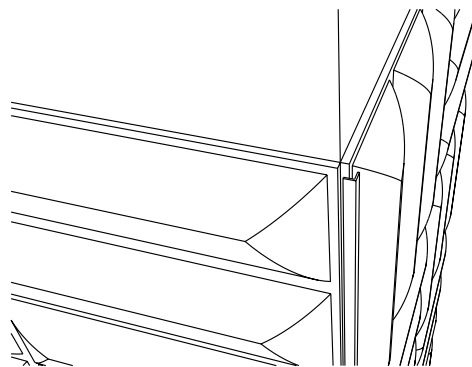
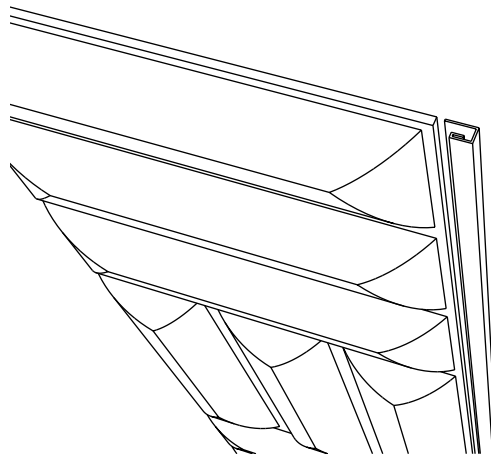
If you're using profiles for corners, connections or terminations, make sure to cut them to the desired length and cover them with VicTape Premium before applying them with FlexiGlue.



Required Apparatus:

- 1 x VicWallpaper
- 1 x Profile
- 1 x FlexiGlue
- 1 x VicTape Premium
- 1 x Cutter or Craft Knife
- 1 x Ruler

Step 4 (Optional)



Depending on which profile you're applying, you can slide them into place or glue them to VicWallpaper, holding them down firmly while the FlexiGlue dries.