



Audio Return Channel



10.2 Gbps up to 30 Gbps



Superior 3D & UltraHD 4k

HDMI CABLES

INNOVATIVE DESIGN WITH COMPOSILEX® 2 FOR STUNNING FIDELITY

Since introducing the world's first upgrade HDMI cable in January 2004, Wireworld has earned numerous awards for advancements in HDMI cable performance. These innovations include two proprietary conductor geometries that increase transmission speed (patent pending) and a new composite insulation material, Composilex® 2, which reduces background noise. Technological leadership in the HDMI cable field has enabled Wireworld to produce a comprehensive range of cables that provide superior imaging and sound quality at every price level.

Platinum Starlight 7, Silver Starlight 7 and Starlight 7 are the only HDMI cables that employ Wireworld's DNA Helix® cable design, which has 24 signal conductors – double that of conventional HDMI cables – arranged in an innovative symmetrical geometry that maximizes transmission speed, while the new Composilex 2 insulation material reduces noise. Those advantages minimize the signal timing errors known as digital jitter, to deliver the richest sonic textures and the most tactile images that the finest A/V systems can produce.

The Ultraviolet 7, Chroma 7 and Island 7 cables utilize Wireworld's exclusive 16-conductor Symmetricon® design to provide faster transmission speed than conventional HDMI cable designs, in addition to Composilex 2 insulation, resulting in industry leading performance and value. Transmission speed is a dominant factor in HDMI cable performance and faster cables produce distinctly cleaner sound and sharper images. Even the longest lengths



Platinum Starlight® 7
PSH

- Solid silver conductors
- DNA Helix design
- Carbon fiber plugs
- Silver+gold contacts

Silver Starlight® 7
SSH

- Silver-clad OFC conductors
- DNA Helix design
- Silver+gold contacts

Starlight® 7
SHH

- Silver-plated OFC conductors
- DNA Helix design
- Silver+gold contacts

Ultraviolet™ 7
UHH

- Silver-plated OFC conductors
- Symmetricon design
- Silver+gold contacts

Chroma™ 7
CHH

- OFC conductors
- Symmetricon design
- Silver+gold contacts

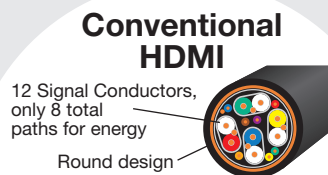
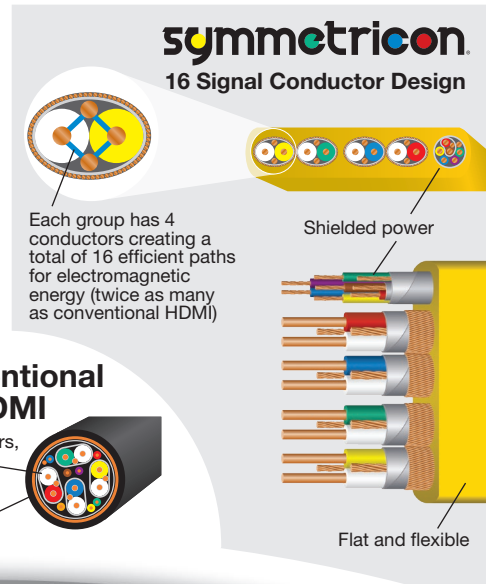
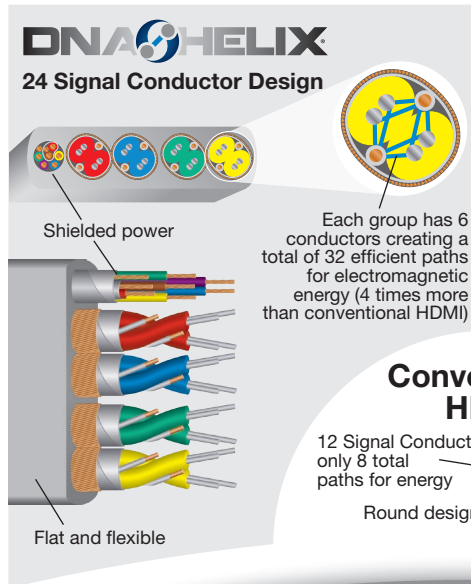
Island™ 7
IHH

- Copper conductors
- Symmetricon design
- 24K gold-plated contacts

of Wireworld Series 7 HDMI cables exceed the 10.2Gbps transmission speed requirement of the HDMI v1.4 specification and the shorter lengths exceed that speed by very wide margins.

In addition to superior speed, imaging and sound quality, the flat profile of Wireworld HDMI cables makes them more flexible and easier to conceal than round cables. They are all rated UL-CL3/FT4 for in-wall installations. Wireworld

HDMI cables also feature secure HD-Grip connectors with contacts that have a thick layer of silver under their gold plating, which reduces contact loss by more than half. While the material and design upgrades of the higher models provide real sonic and visual improvements, all of the cables provide the enhanced definition, depth and contrast that have created Wireworld's reputation as the leader in HDMI cable technology.



© 2013 Wireworld, Inc.

WIREWORLD®
CABLE TECHNOLOGY

Engineered for Reality™

EVERYTHING YOU NEED TO KNOW AT WWW.WIREWORLDCABLE.COM